

WPLED™ 78W WALL MOUNT INSTALLATION INSTRUCTIONS

Thank you for buying RAB lighting fixtures. Our goal is to design the best quality products to get the job done right. We'd like to hear your comments. Call the Marketing Department at 888-RAB-1000, or email: marketing@rabweb.com



IMPORTANT

READ CAREFULLY BEFORE INSTALLING FIXTURE. RETAIN THESE INSTRUCTIONS FOR FUTURE REFERENCE.

RAB fixtures must be wired in accordance with the National Electrical Code and all applicable local codes. Proper grounding is required for safety. This product must be installed in accordance with the applicable installation code by a person familiar with the construction and operation of the product and the hazards involved.

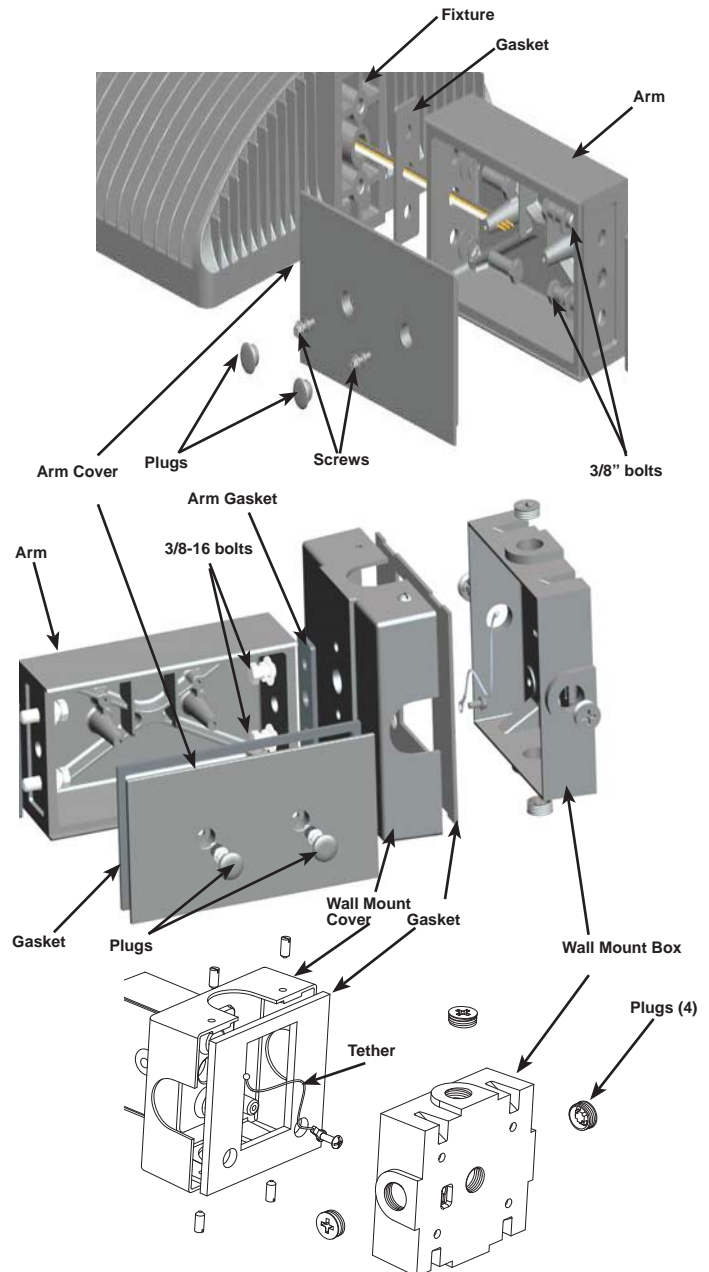
WARNING: Make certain power is OFF before installing or maintaining fixture. No user servicable parts inside.

MOUNTING ARM ON FIXTURE

1. Remove the **Arm Cover** from the **Arm**.
2. Feed wires from **Fixture** through **Gasket** into **Arm**.
3. Line up **Arm** and **Fixture**. Place flat washers, lock washers and nuts on the **3/8-16"** bolts inside the **Arm** and tighten securely to housing.
4. Make sure the **Gasket** is secure between **Arm** and **Fixture**.

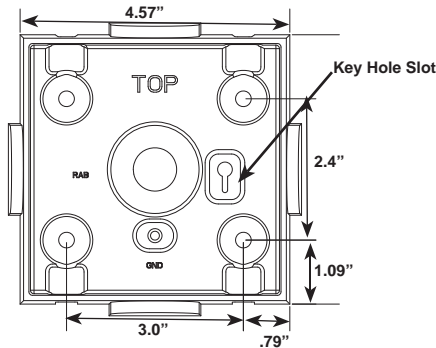
MOUNTING FIXTURE ON WALL

1. Separate **Wall Mount Cover** and **Wall Mount Box**.
2. Orient box so that "TOP" is on top.
3. Secure **Wall Mount Box** to a sturdy wall. Use appropriate mounting hardware such as lag bolts and anchors with washers suitable for the mounting surface. Use weatherproof silicone sealant between wall and **Wall Mount Box**.
4. Feed supply wires through **Wall Mount Box**, **Gasket**, and **Wall Mount Cover**.
5. Check that **Gasket** between **Wall Mount Box** and **Wall Mount Cover** is secure and screw the cover on box using four screws.
6. Line up **Arm** and **Wall Mount Cover**. Place flat washers, lock washers and **3/8-16 bolts** from wall bracket (do not use long bolts provided with **Arm**), inside the **Arm** and tighten securely.
7. Feed wires through the **Arm Gasket** into **Arm**. Make necessary connections in the **Arm**.
8. Replace the **Arm Cover**. Be sure **Gasket** on **Arm Cover** is in place.
9. Tighten **Close Up Plugs** and apply weatherproof silicone sealant to all unused conduit entry points. Also use sealant between the wall and **Wall Mount Box**.

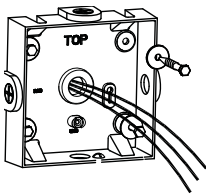


WPLED™ 78W WALL MOUNT INSTALLATION INSTRUCTIONS

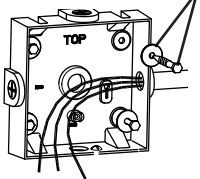
WALL MOUNT BOX DETAILS



Wall Feed



Conduit Feed



Hardware
(not supplied)

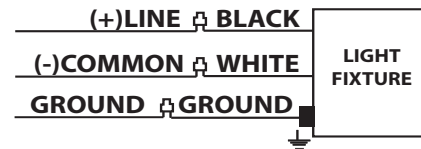
TROUBLESHOOTING

1. Check that the line voltage at fixture is correct. Refer to wiring directions.
2. Is the fixture grounded properly?
3. Is the photocell functioning properly (if used)?

WIRING

Universal voltage driver permits operation at 120 to 277VAC, 50 or 60Hz.

1. Connect the black fixture lead to the (+) LINE supply lead.
2. Connect the white fixture lead to the (-) COMMON supply lead.
3. Connect the bare copper Ground wire from fixture to supply ground.



CLEANING & MAINTENANCE

CAUTION: Be sure fixture temperature is cool enough to touch. Do not clean or maintain while fixture is energized.

1. Clean glass lens with non-abrasive glass cleaning solution.
2. Do not open fixture to clean the LED. Do not touch the LED.

RAB fixture designs are protected under U.S. and International Intellectual Property laws. Patent pending.

WPLED™ 78W WALL MOUNT INSTALLATION INSTRUCTIONS

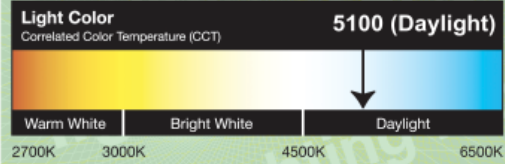
WPLED2T78 Cool

RAB

lighting facts[®]
A Program of the U.S. DOE

Light Output (Lumens) **5263**
Watts **90**
Lumens per Watt (Efficacy) **58**

Color Accuracy **68**
Color Rendering Index (CRI)



All results are according to IESNA LM-79-2008: *Approved Method for the Electrical and Photometric Testing of Solid-State Lighting*. The U.S. Department of Energy (DOE) verifies product test data and results.

Visit www.lightingfacts.com for the *Label Reference Guide*.

Registration Number: WVMA-HD8DFB (11/8/2011)

Model Number: WPLED2T78

Type: Outdoor wall pack

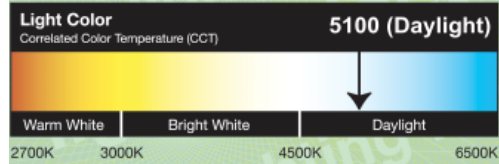
WPLED3T78 Cool

RAB

lighting facts[®]
A Program of the U.S. DOE

Light Output (Lumens) **4959**
Watts **91**
Lumens per Watt (Efficacy) **55**

Color Accuracy **68**
Color Rendering Index (CRI)



All results are according to IESNA LM-79-2008: *Approved Method for the Electrical and Photometric Testing of Solid-State Lighting*. The U.S. Department of Energy (DOE) verifies product test data and results.

Visit www.lightingfacts.com for the *Label Reference Guide*.

Registration Number: WVMA-8RMJAZ (11/8/2011)

Model Number: WPLED3T78

Type: Outdoor wall pack

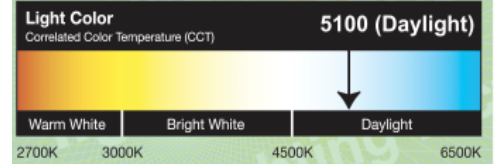
WPLED4T78 Cool

RAB

lighting facts[®]
A Program of the U.S. DOE

Light Output (Lumens) **5456**
Watts **91**
Lumens per Watt (Efficacy) **60**

Color Accuracy **68**
Color Rendering Index (CRI)



All results are according to IESNA LM-79-2008: *Approved Method for the Electrical and Photometric Testing of Solid-State Lighting*. The U.S. Department of Energy (DOE) verifies product test data and results.

Visit www.lightingfacts.com for the *Label Reference Guide*.

Registration Number: WVMA-BWYZV4 (11/8/2011)

Model Number: WPLED4T78

Type: Outdoor wall pack

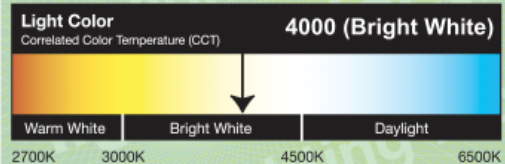
WPLED2T78 Neutral

RAB

lighting facts[®]
A Program of the U.S. DOE

Light Output (Lumens) **4284**
Watts **91**
Lumens per Watt (Efficacy) **47**

Color Accuracy **87**
Color Rendering Index (CRI)



All results are according to IESNA LM-79-2008: *Approved Method for the Electrical and Photometric Testing of Solid-State Lighting*. The U.S. Department of Energy (DOE) verifies product test data and results.

Visit www.lightingfacts.com for the *Label Reference Guide*.

Registration Number: WVMA-VPH76G (11/8/2011)

Model Number: WPLED2T78N

Type: Outdoor wall pack

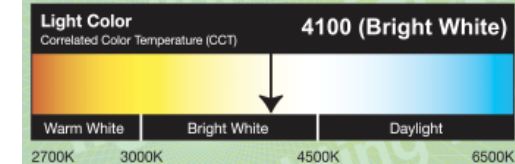
WPLED3T78 Neutral

RAB

lighting facts[®]
A Program of the U.S. DOE

Light Output (Lumens) **3695**
Watts **91**
Lumens per Watt (Efficacy) **41**

Color Accuracy **88**
Color Rendering Index (CRI)



All results are according to IESNA LM-79-2008: *Approved Method for the Electrical and Photometric Testing of Solid-State Lighting*. The U.S. Department of Energy (DOE) verifies product test data and results.

Visit www.lightingfacts.com for the *Label Reference Guide*.

Registration Number: WVMA-FHAMHE (11/8/2011)

Model Number: WPLED3T78N

Type: Outdoor wall pack

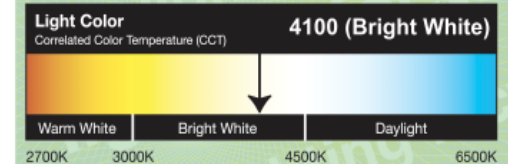
WPLED4T78 Neutral

RAB

lighting facts[®]
A Program of the U.S. DOE

Light Output (Lumens) **4287**
Watts **91**
Lumens per Watt (Efficacy) **47**

Color Accuracy **88**
Color Rendering Index (CRI)



All results are according to IESNA LM-79-2008: *Approved Method for the Electrical and Photometric Testing of Solid-State Lighting*. The U.S. Department of Energy (DOE) verifies product test data and results.

Visit www.lightingfacts.com for the *Label Reference Guide*.

Registration Number: WVMA-B66SQX (11/8/2011)

Model Number: WPLED4T78N

Type: Outdoor wall pack