

AC Surge Protection Solutions AC OEM Split Phase Series

AC2040-01 • AC2040-02 • AC2060-01 • AC2060-02 • AC2080-01 • AC2080-02

The AC OEM Split Phase Series offers durable, hardwired, cost-effective AC surge protection.

ACData[®]



AC OEM Split Phase Series

Features

- UL 1449 3rd Edition Listed
- Common mode suppression
- Thermal fused metal oxide varistor (MOV) suppression technology
- Light-emitting diode (LED) visual protection status indicator
- Type 1 indoor and Type 4 outdoor rated enclosures
- Available in maximum surge current capacities of 40kA, 60kA and 80kA

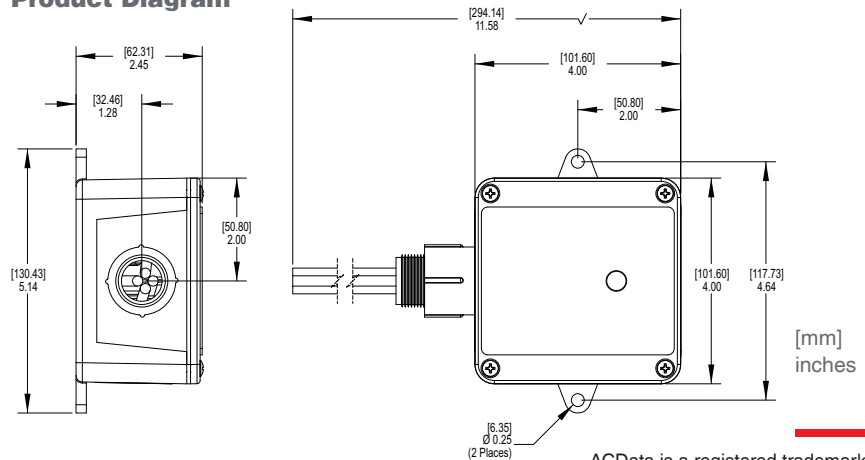
Benefits

Type 1 or Type 2 surge protection devices and extended operating temperature with the versatility of either a Type 1 indoor or Type 4 outdoor rated enclosure.

Basic Applications

- Light-industrial
- Telecommunications
- Energy
- Transportation
- Other commercial applications

Product Diagram



ACData is a registered trademark of Raycap
© 2011 Raycap All rights reserved.
G02-00-003 091511

AC Surge Protection Solutions

AC OEM Split Phase Series

AC2040-01 • AC2040-02 • AC2060-01 • AC2060-02 • AC2080-01 • AC2080-02



Electrical

Models (Indoor)	AC2040-01-NA	AC2040-02-NA	AC2060-01-NA	AC2060-02-NA	AC2080-01-NA	AC2080-02-NA
Models (Outdoor)	AC2040-01W-NA	AC2040-02W-NA	AC2060-01W-NA	AC2060-02W-NA	AC2080-01W-NA	AC2080-02W-NA
Surge Protection Device (SPD) Type to UL	Type 1	Type 2	Type 1	Type 2	Type 1	Type 2
Operating AC Voltage	1 ϕ 120/240V 3W+G	1 ϕ 120/240V 3W+G	1 ϕ 120/240V 3W+G	1 ϕ 120/240V 3W+G	1 ϕ 120/240V 3W+G	1 ϕ 120/240V 3W+G
Maximum Continuous Operating AC Voltage (MCOV):						
Line-Neutral	140V	140V	140V	140V	140V	140V
Line-Ground	140V	140V	140V	140V	140V	140V
Neutral-Ground	140V	140V	140V	140V	140V	140V
Line-Line	280V	280V	280V	280V	280V	280V
Nominal Discharge Current [I _n]	10 kA	10 kA	20 kA	20 kA	20 kA	20 kA
Maximum Surge Current Capacity [I _{max}]:						
Line-Neutral	40 kA	40 kA	60 kA	60 kA	80 kA	80 kA
Line-Ground	40 kA	40 kA	60 kA	60 kA	80 kA	80 kA
Neutral-Ground	40 kA	40 kA	60 kA	60 kA	80 kA	80 kA
Line-Line	40 kA	40 kA	60 kA	60 kA	80 kA	80 kA
Fault Current Rating	10 kA with no breaker	65 kA with 200 Amp breaker	10 kA with no breaker	65 kA with 200 Amp breaker	10 kA with no breaker	65 kA with 200 Amp breaker
Voltage Protection Rating (VPR):						
Line-Neutral	600V	800V	600V	800V	600V	800V
Line-Ground	1000V	1200V	1000V	1200V	1000V	1200V
Neutral-Ground	600V	600V	600V	600V	600V	600V
Line-Line	1000V	1200V	1000V	1200V	1000V	1200V
Suppression Technology	MOV	MOV	MOV	MOV	MOV	MOV

Mechanical

Connection Terminal (Suppression) Hardwired	#12 AWG [4 mm ²] pigtail leads
Operation Temperature (°C)	-40° C to +80° C
Enclosure Type (Indoor)	Type 1 PVC Plastic
Enclosure Type (Outdoor)	Type 4 PVC Plastic
Enclosure Dimension (L×W×H)	11.58"×5.14"×2.45" [294.14×130.43×62.31 mm]
Weight	4.0 lbs [1.81 kg]

Standards Compliance & Certifications

UL 1449 3 rd Edition: 2009, IEEE 62.41.2: 2002	
Certification	UL
Standards	ANSI, IEEE, NEC

OEM=Original Equipment Manufacturer
AWG=American Wire Gauge

