



AC1040/AC1060/AC1080 SERIES AC2040/AC2060/AC2080 SERIES

SURGE PROTECTIVE DEVICE'S (SPD) INSTALLATION INSTRUCTIONS

The following materials checklist is provided to assist in installation preparations. Installers may find it helpful to verify that all materials are available.

- Circuit Breaker/Fusing

SPD Type 1

No circuit breaker or fuse needed on services up to 10 KAIC fault current.
“-01” or “-01W” in model name indicates SPD Type 1

SPD Type 2

2 pole, 200 Amp or less, 250 Vac circuit breaker to fit electrical distribution panel on services up to 65 KAIC fault current.
“-02” or “-02W” in model name indicates SPD Type 2

- 3/4 inch Conduit and fittings
- Punch for distribution panel, 3/4 inch conduit (26mm)

GENERAL INSTRUCTIONS

The Surge Protective Device mounts directly to the service panel to be protected. Whenever possible, use wire lengths of 24” (60cm) or less. The shortest possible wire length enhances the suppressor’s performance by allowing less let-through voltage into the protected equipment.

INSTALLATION AND CONNECTION OF SUPPRESSOR

- Find and mark a suitable location (3/4 knockout preferred) for mounting the SPD to the distribution panel
- Drill hole of punch knockout where marked on the distribution panel
- Install 3/4 inch conduit through distribution panel and secure with jam nut.
- Turn power off to all circuits.
- Connect wires from suppressor to panel to be protected.

SPD Type 1

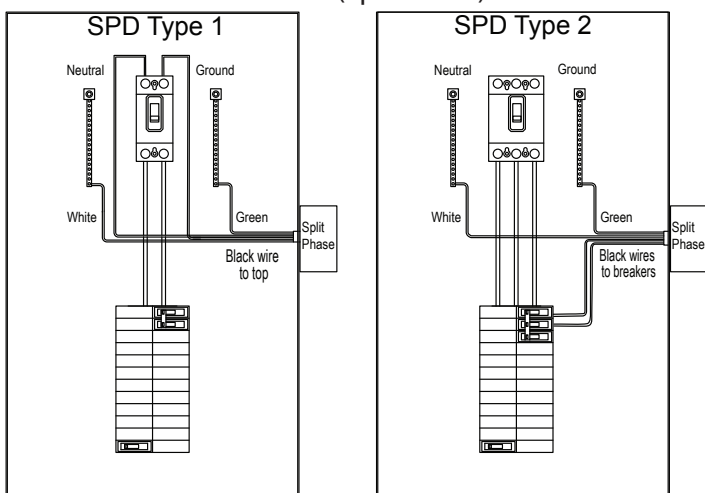
- Connect green wire to ground bar
- Connect white wire to neutral bar
- Connect phase wire to line side of main service breaker. (See below)

SPD Type 2

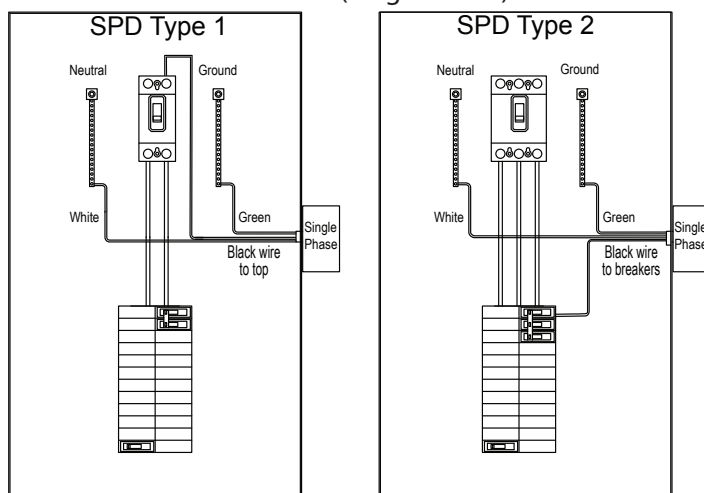
- Install SPD circuit breaker
- Connect green wire to ground bar
- Connect white wire to neutral bar
- Connect phase wire to SPD circuit breaker. (See below)

Check ALL wiring. Incorrect wiring may result in damage

AC20 Series (Split Phase)



AC10 Series (Single Phase)



For conditions other than those described above, please contact a Raycap Account Representative at (208) 777-1166, (800) 890-2569, or FAX (208) 777-4466 or www.raycapsurgeprotection.com

Thank you for choosing quality products from Raycap