

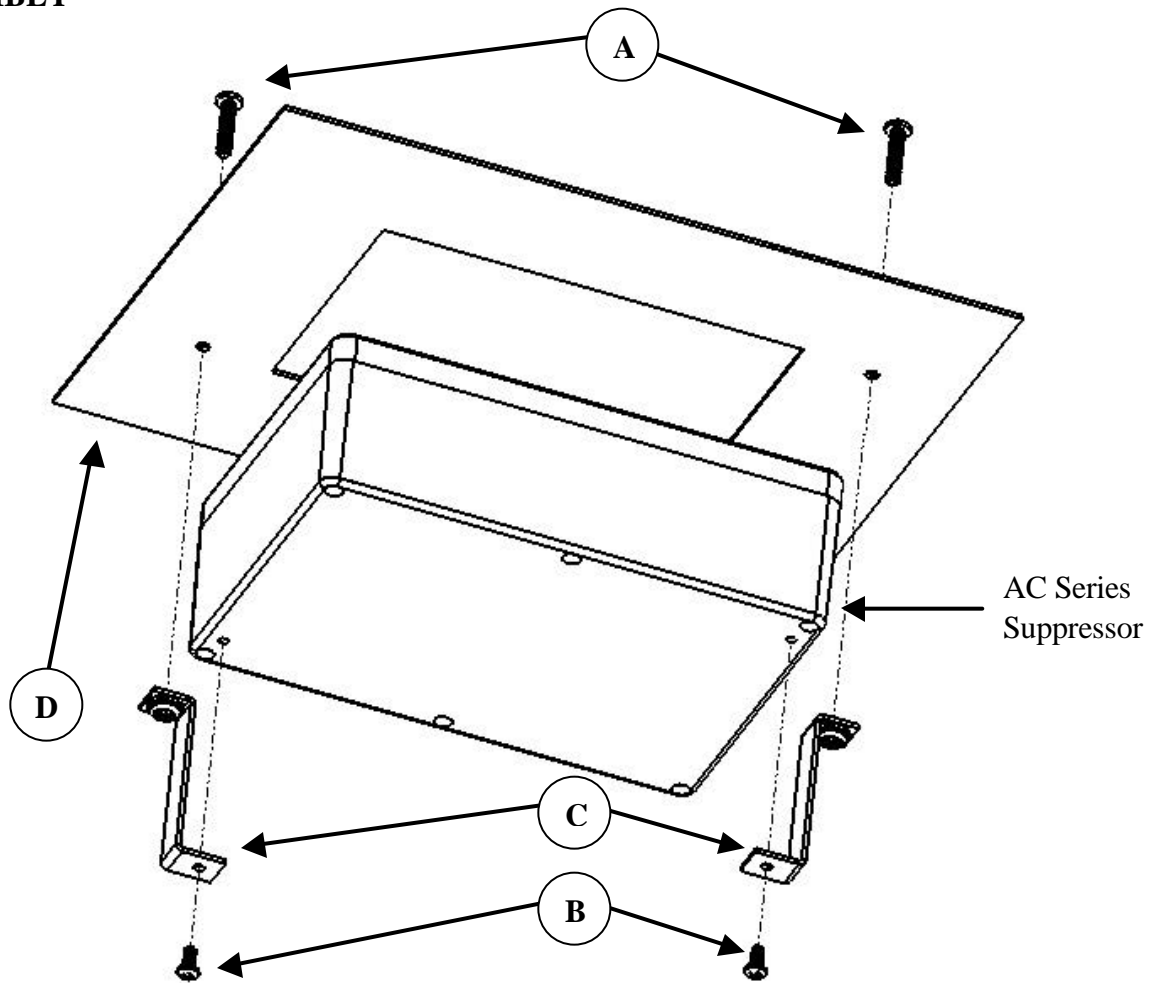
~ DATA SYSTEMS, INC.  
SURGE SUPPRESSION SOLUTIONS

**Flush Mount  
Installation Instructions**

**THIS PACKAGE CONTAINS**

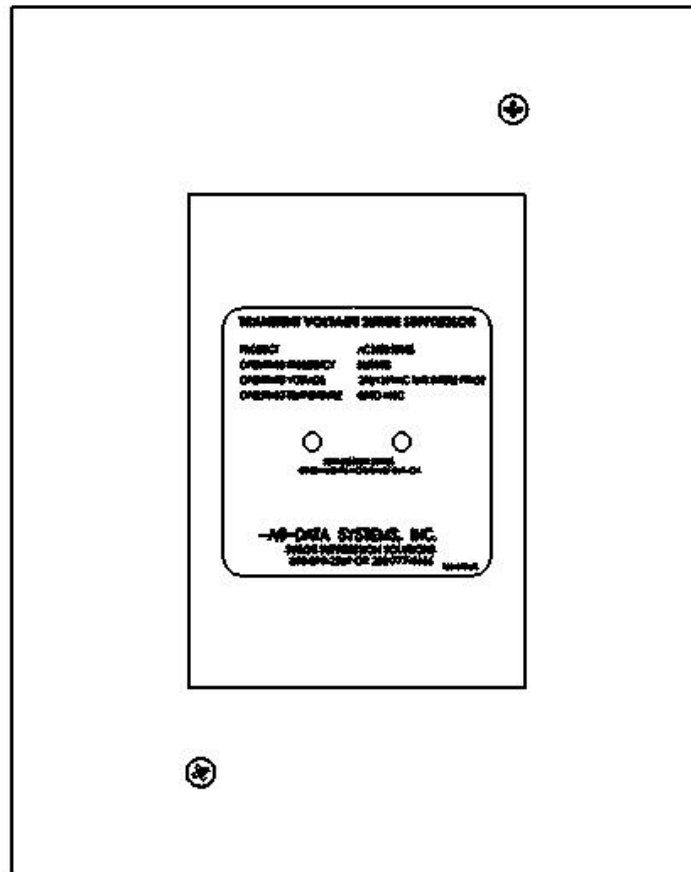
- (A) Qty. 2 8-32 Phillips Pan Head Screw,  $\frac{3}{4}$ " (Longer screws)
- (B) Qty. 2 M3.5x6x8mm Posidrive Screw (Shorter screws)
- (C) Qty. 2 Mounting Brackets
- (D) Qty. 1 Plate,  $9\frac{3}{4}$ " x  $7\frac{3}{4}$ "

**ASSEMBLY**



**Figure 1: Exploded View**

1. Using two of the screws (B) provided, attach the two mounting brackets (C) to the AC Series Suppressor as shown in Figure 1.
2. Install the AC Series Suppressor per the ACx100 Series Installation Instructions provided with the suppressor. Be sure to mount the front surface of AC Series Suppressor flush with external surface of the wall.
3. Using the other two screws (A) provided, attach the plate (D) to the AC Series Suppressor via the mounting brackets. See Figure 2 for view of completed installation.



**Figure 2: Front View**

For questions, please phone an AC Data Systems Account Representative at (208) 777-1166, (800) 890-2569, or by Fax at (208) 777-4466.