

O1527P

Ballast Type: Electromagnetic
 Input Voltage: 277VAC +5%,-10%
 Input Frequency: 60 Hz.

Starting Method: Preheat
 Lamp Connection: Series
 Unit Color: Raw

Unit Weight: 1.03 lb.
 Carton Quantity: 40
 Skid Quantity: 1600

ELECTRICAL SPECIFICATION:

Line Voltage (V)	Lamp Type	Lamp Watts	No. of Lamps	Line Current (A)	Input Power (W)	Power Factor	Max Current THD (%)	Current Crest Factor	Ballast Factor	Wiring Diagram	B.E.F.
277	CFT13W/GX23, CFQ13W/GX23	13	1	0.28	19	≥0.20	≤15	≤1.7	1.00	101	5.26
277	CFT13W/GX23, CFQ13W/GX23	13	2 (In Series)	0.28	30	≥0.40	≤10	≤1.7	1.00	113	3.33
277	CFQ26W/G24d CFTR26W/GX24d	26	1	0.28	28	≥0.35	≤10	≤1.7	1.00	101	3.57

PERFORMANCE:

- Electromagnetic reactor type ballast
- Preheat start
- Series operation
- Normal power factor
- Open core and coil
- Sound rated A
- Meets ANSI C82.1

APPLICATION:

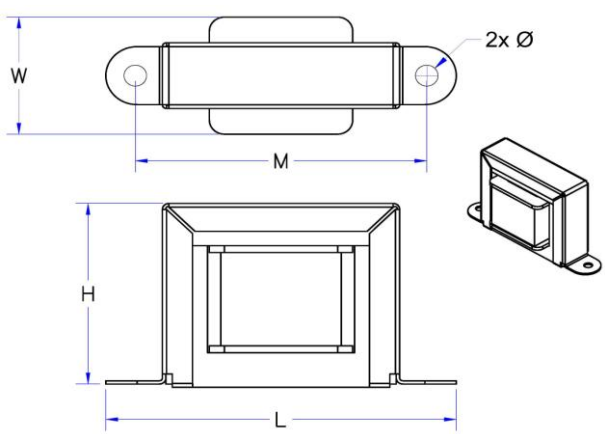
- Maximum case temperature: 194°F/90°C
- Maximum ambient temperature: 104°F/40°C
- Minimum starting temperature: 32°F/0°C
- Remote mounting: 10 ft.

SAFETY:

- UL listed (Class P, Type 1 outdoor)
- Automatic reset thermal protector
- No PCB's
- RoHS Compliant

STYLE:

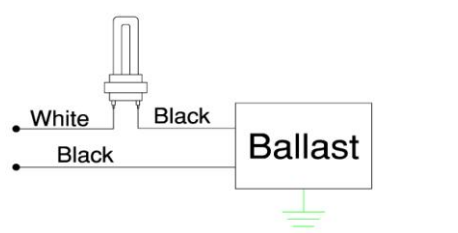
1X



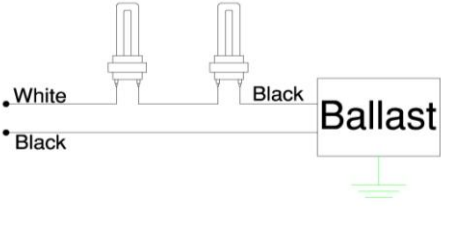
H	W	L	M	Ø
1 15/16	1 1/2	3 1/4	2 13/16	3/16
1.94	1.50	3.25	2.81	0.19
4.93 cm	3.81 cm	8.26 cm	7.14 cm	0.47 cm

WIRING DIAGRAM:

101



113



Standard lead lengths:
 • Blk: 7" x 15"

* 3/8" Strip

WARRANTY

Robertson Worldwide warrants to the purchaser that this ballast will be free from defects in material or workmanship for a period of 2 years from date of manufacture when properly installed and under normal conditions of use. For more information on Robertson Worldwide's ballasts, call 1-800-323-5633 or visit www.robertsonww.com. Specifications subject to change without notice.

Revised 12/17/10

ROBERTSON WORLDWIDE

 13611 Thornton Rd, Blue Island, IL 60406, TEL: 1-800-323-5633, FAX: 1-877-388-2420, www.robertsonww.com