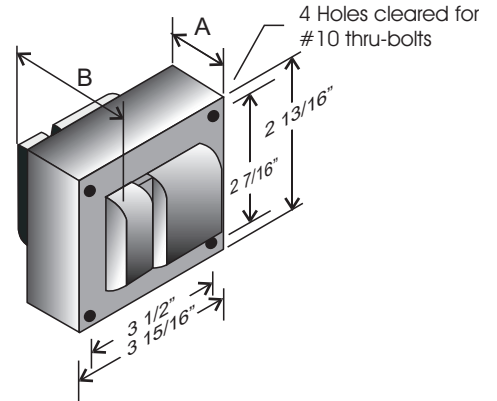


CATALOG NUMBER: E-871-WDD-117 FOR ONE 175 WATT, M57 METAL HALIDE LAMP

Line Voltage	120/208/240/277/480 V
Regulation	
Line Volts	+/-10%
Line Watts	+/-10%
Frequency	60 Hz
Circuit Type	CWA
Power Factor (min)	90%
Insulation Class	H(180°)
Min. Ambient Starting Temp.	-20° F or -30° C

3" X 4" CORE

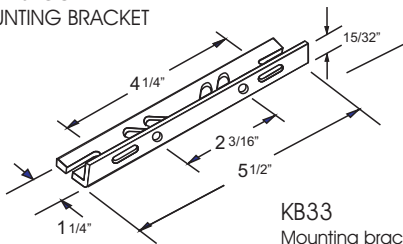


CORE AND COIL

Dimension A (inches)	2.48
Dimension B (inches)	4.0
Weight (lbs)	8.2
Lead Lengths (inches)	12

Line Voltage (Volts)	120	208	240	277	480
Line Current (Amps)					
Operating	1.80	1.04	0.90	0.78	0.45
Open Circuit	1.96	1.15	1.00	0.86	0.54
Starting	1.20	0.70	0.61	0.53	0.30
Input Watts (W)	210	210	210	210	210
Open Circuit Voltage (V)	305	305	305	305	305
Drop Out Voltage	60	104	120	140	240
UL(1029) Bench Top Rise	B	A	A	A	C
Recommended Fuse (Amps)	5	3	3	2	2
HIGH POTENTIAL TEST (VOLTS)					
1 Minute	2000				
2 Seconds	2500				
Open Circuit Voltage Test (volts)	280-340				
Short-Circuit Current Test (Amps)					
Secondary Current	1.55-1.85				
Input Current	1.10 - 1.35	0.65 - 0.80	0.55 - 0.70	0.47 - 0.60	0.26 - 0.35

BRACKET CORE & COIL MOUNTING BRACKET

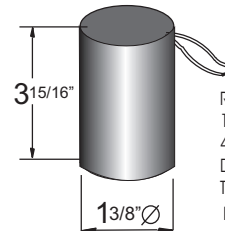


KB33
Mounting bracket for
Core & Coil Ballasts
(1 bracket with thru bolts)



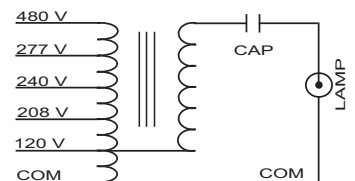
C-01
MOUNTING CLIP for round
case (Furnished as standard
with B suffix ballast)

CAPACITOR



RATING
10 Mfd ± 3%
400 VAC MIN
Dry Film Capacitor
Thermal Plastic Case
Max. Case Temp 100° C

WIRING DIAGRAM



MULTI VOLTAGE
120/208/240/277/480 VOLT CONNECTION

ORDERING INFORMATION

*** Add proper suffix to catalog number when ordering as indicated below:
No suffix = Core and Coil Only
B = Core and Coil, and Bracket
C = Core and Coil, and Capacitor
BC = Core and Coil, Capacitor and Bracket

Data is based upon tests performed by Industrias Sola Basic in a controlled environment and representative of relative performance. Actual Performance can vary depending on operating conditions. Specifications are subject to change without notice.

Made in Mexico by Industrias Sola Basic S.A de C.V.

H03



Lighting & Power Source LP.
2707 Realty Road, Suite 110
Carrollton, TX 75006 USA
Tel: (972) 416-4500
Fax: (972) 418-5858