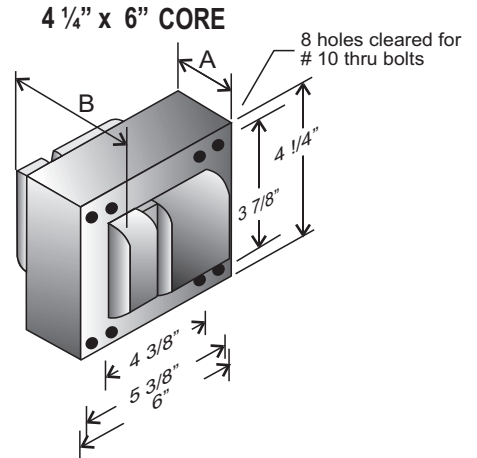


## CATALOG NUMBER: E-871-WDD-211 FOR ONE 1000 WATT, M47 METAL HALIDE LAMP

Line Voltage	120/208/240/277/480 V
Regulation	
Line Volts	+/-10%
Line Watts	+/-10%
Frequency	60 Hz
Circuit Type	CWA
Power Factor (min)	90%
Insulation Class	H(180°)
Min. Ambient Starting Temp.	-20° F or -30° C



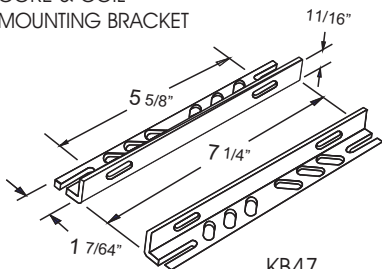
### CORE AND COIL

Dimension A (inches)	3.0
Dimension B (inches)	5.1
Weight (lbs)	24.0
Lead Lengths (inches)	12

Line Voltage (Volts)	120	208	240	277	480
Line Current (Amps)					
Operating	9.2	5.3	4.6	4.0	2.30
Open Circuit	5.6	3.5	2.85	2.6	1.5
Starting	6.6	3.8	3.3	2.9	1.7
Input Watts (W)	1080	1080	1080	1080	1080
Open Circuit Voltage (V)	420	420	420	420	420
Drop Out Voltage	78	125	150	180	295
UL(1029) Bench Top Rise	D	B	B	B	B
Recommended Fuse (Amps)	20	15	10	10	10
HIGH POTENTIAL TEST (VOLTS)					
1 Minute	2000				
2 Seconds	2500				
Open Circuit Voltage Test (volts)	385-455				
Short-Circuit Current Test (Amps)					
Secondary Current	5.20-6.00				
Input Current	5.65 - 7.30	3.15 - 4.30	2.85 - 3.70	2.40 - 3.22	1.37 - 1.85

### BRACKET

CORE & COIL  
MOUNTING BRACKET

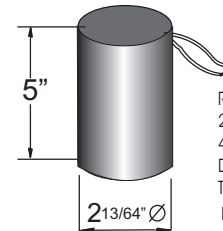


**KB47**  
Mounting bracket for  
Core & Coil Ballasts  
(2 brackets with thru bolts)



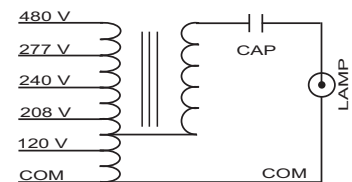
**C-01**  
MOUNTING CLIP for round  
case (Furnished as standard  
with B suffix ballast)

### CAPACITOR



**RATING**  
24 Mfd ± 3%  
480 VAC MIN  
Dry Film Capacitor  
Thermal Plastic Case  
Max. Case Temp 100° C

### WIRING DIAGRAM



MULTI VOLTAGE  
120/208/240/277/480 VOLT CONNECTION

## ORDERING INFORMATION

\*\*\* Add proper suffix to catalog number when ordering as indicated below:  
No suffix = Core and Coil Only  
B = Core and Coil, and Bracket  
C = Core and Coil, and Capacitor  
BC = Core and Coil, Capacitor and Bracket

Data is based upon tests performed by Industrias Sola Basic in a controlled environment and representative of relative performance. Actual Performance can vary depending on operating conditions. Specifications are subject to change without notice.

Made in Mexico by Industrias Sola Basic S.A de C.V.

H03



Lighting & Power Source LP.  
2707 Realty Road, Suite 110  
Carrollton, TX 75006 USA  
Tel: (972) 416-4500  
Fax: (972) 418-5858