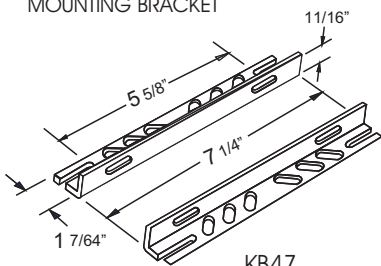


## CATALOG NUMBER: E-MCA00W751 FOR ONE 750 WATT, M149 METAL HALIDE LAMP (PULSE START)

Line Voltage	120/208/240/277 V
Regulation	
Line Volts	+/-10%
Line Watts	+/-10%
Frequency	60 Hz
Circuit Type	CWA
Power Factor (min)	90%
Insulation Class	H(180°)
Min. Ambient Starting Temp.	-20° F or -30° C

Line Voltage (Volts)	120	208	240	277
Line Current (Amps)				
Operating	7.0	4.0	3.5	3.0
Open Circuit	5.7	3.4	3.0	2.6
Starting	4.4	2.5	2.1	1.85
Input Watts (W)	810	810	810	810
Open Circuit Voltage (V)	360	360	360	360
Drop Out Voltage	60	104	120	138
UL(1029) Bench Top Rise	D	D	D	D
Recommended Fuse (Amps)	20	10	10	8
HIGH POTENTIAL TEST (VOLTS)				
1 Minute	2000			
2 Seconds	2500			
Open Circuit Voltage Test (volts)	325-395			
Short-Circuit Current Test (Amps)				
Secondary Current	4.40-5.50			
Input Current	3.3-4.8	1.8-2.75	1.5-2.40	1.30-2.1

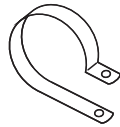
**BRACKET**  
CORE & COIL  
MOUNTING BRACKET



**KB47**  
Mounting bracket for  
Core & Coil Ballasts  
(2 brackets with thru bolts)



**C-01**  
MOUNTING CLIP for round  
case (Furnished as standard  
with B suffix ballast)



**I-01**  
MOUNTING CLIP for oval  
case (Furnished as standard  
with B suffix ballast)

### ORDERING INFORMATION

\*\*\* Add proper suffix to catalog number when ordering as indicated below:  
No suffix = Core and Coil Only  
B= Core and Coil, and Bracket  
C=Core and Coil, and Capacitor  
BC=Core and Coil, Capacitor and Bracket

Data is based upon tests performed by Industrias Sola Basic in a controlled environment and representative of relative performance. Actual Performance can vary depending on operating conditions. Specifications are subject to change without notice.

CERT. No.  
006281



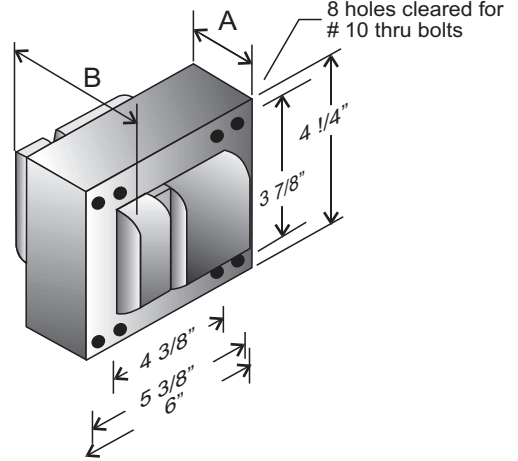
ISO 9001



Made in Mexico by Industrias Sola Basic S.A de C.V.

H01

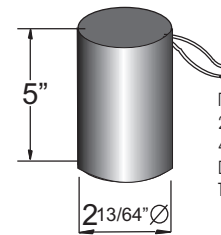
### 4 1/4" X 6" CORE



### CORE AND COIL

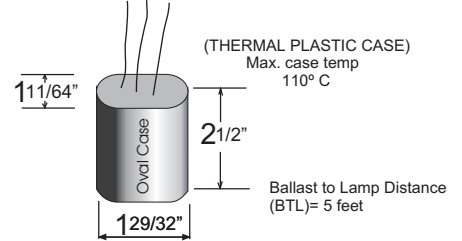
Dimension A (inches)	2.4
Dimension B (inches)	4.4
Weight (lbs)	19.7
Lead Lengths (inches)	12

### CAPACITOR

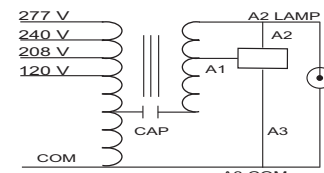


**RATING**  
23.5 Mfd ± 3%  
480 VAC MIN  
Dry Film Capacitor  
Thermal Plastic Case  
Max. Case Temp 100° C

### IGNITOR 356-AS-751-MH



### WIRING DIAGRAM



MULTI VOLTAGE  
120/208/240/277 VOLT CONNECTION

Lighting & Power Source  
2707 Realty Road, Suite 110  
Carrollton, TX 75006  
Tel: (888) 385-4448  
Fax: (972) 418-5858