


Specifications

Part Number:	10-0137 Surelite™ Electronic Ballast, Thermally Protected	
Regulatory Approvals:	UL® Listed Fluorescent Lamp Ballast Class P, Type 1 or 2 Outdoor "Type HL" Approved. Suitable for "Air Handling Spaces".	
Performance:	Meets FCC Part 18 Class A for RFI & EMI	
Starting Mode:	Instant Start	
Lamp Type:	See Table	
Input Line Voltage:	120 Volts AC ± 10%	
Line Frequency:	50/60 Hertz	
ATHD:	Meets ANSI C82.11-1993	
Current (Max.):	0.56 Amps	
Power (Max.):	64 Watts	
Power Factor:	High (>90%)	
Protection – Over Current:	Internal Fuse	
Protection – Voltage Transients:	MOV (per ANSI C82.11-1993)	
Open Circuit Voltage (Max.):	600 Volts RMS	
Ballast Start Temperature (Min.):	– 20°F (– 28°C)	
Ballast Case Temperature (Max.):	158°F (70°C)	
Sound Rating:	A	
Weight:	10-ounces	
Lead Length:	Black/White – 18-inches	Red/Yellow – 36-inches

Application Notes

1. Add jumper between socket contacts, of the lampholder, before connecting the RED and YELLOW wires.
2. Ground case in accordance with the National Electric Code.
3. Remote mounting distance varies with lamp type, consult factory with requirements.
4. When connecting two RED wires, they must be joined to make one wire before connecting to the lampholder.

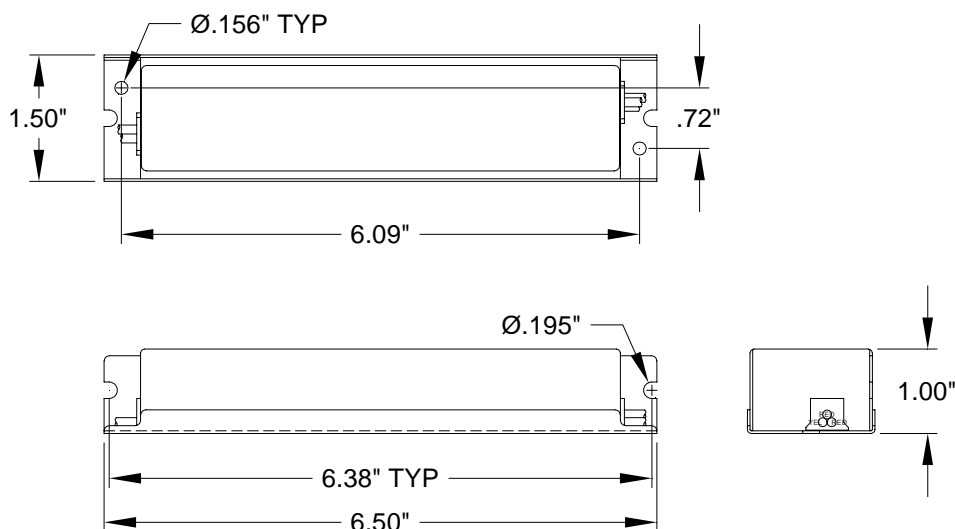


Figure 1- Dimensional Data

GPH287T5L
GPH330T5L
G10T51/2L
GPH357T5L
G18T6L
GPH436T5L
GPH450T5L
GPH463T5L
G24T6L
GPH620T5L/4
G30T6L
GPH793T5L/4
GPH810T5L/4
G36T6L
G48T6L

Table 1 – Lamp Types

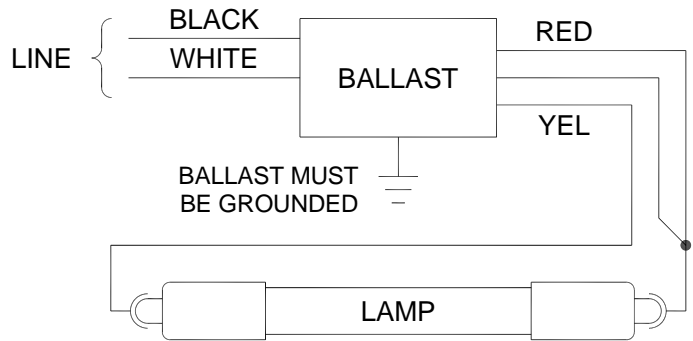
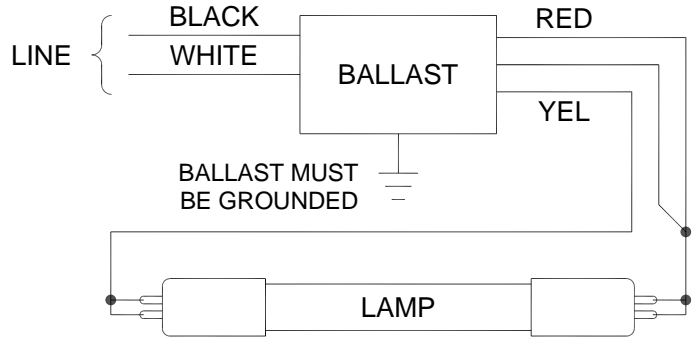


Table 2 – Wiring Diagrams

Connections

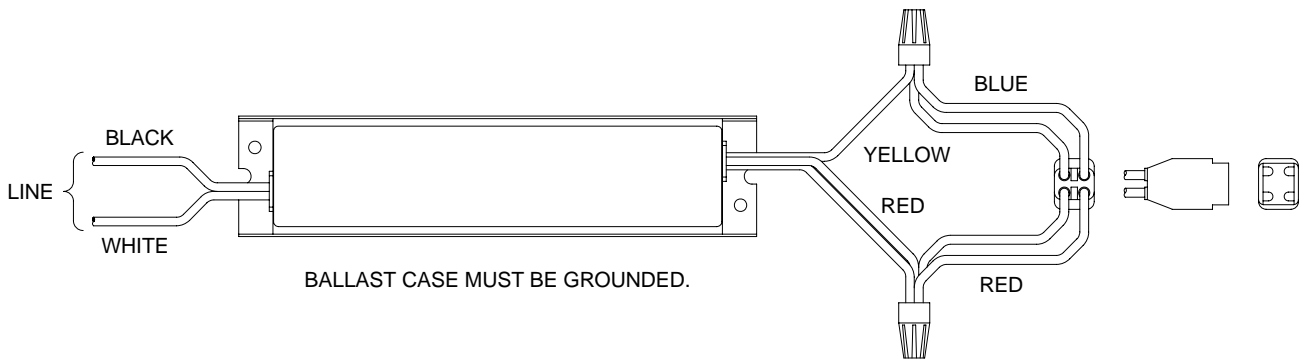


Figure 2 – Typical Connections From Instant Start Ballast For Use With Preheat Lamps