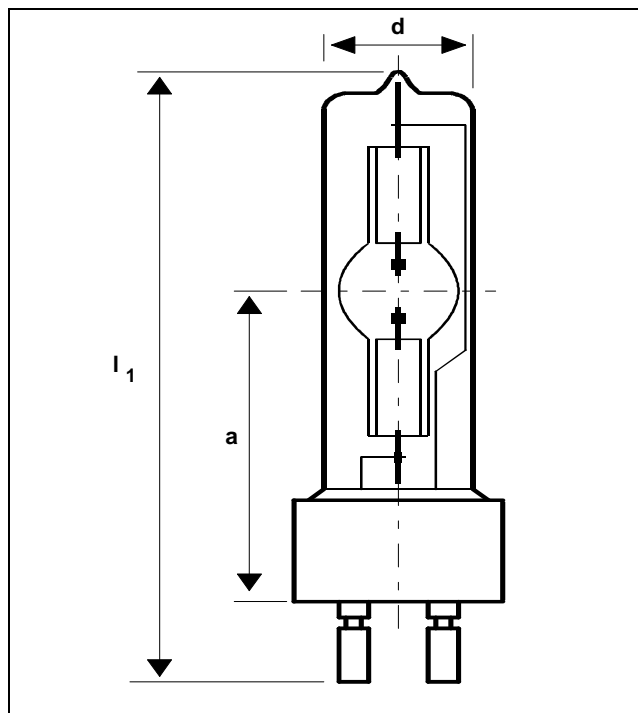


## HSR<sup>®</sup> 1200/60 Metal Halide Lamp



- Short arc
- Compact design
- Daylight character
- High luminance
- Good luminous efficacy
- Choke or electronic operation
- Easy handling
- No hot restart
- High average service life
- Single ended metal halide lamp with outer bulb
- Operation on standard ballasts or on electronic power supplies (ECG)

### TECHNICAL DATA

Lamp order reference	HSR 1200/60	
<b>Electrical data:</b>		
Type of current	Sine wave AC	
Rated power	1,200	W
Rated voltage	100	V
Rated current	13.8	A
Ignition voltage	1.7	kV <sub>s</sub>
<b>Photometric data:</b>		
Luminous flux	110,000	lm
Average luminance	20,000	cd/cm <sup>2</sup>
Color temperature	6,000	K
<b>Geometrical data:</b>		
Electrode gap (cold)	10	mm
Length $l_1$ max.	175	mm
Bulb diameter d	40	mm
LCL a	85	mm
<b>Other data:</b>		
Max. permitted base temperature	230	°C
Cooling	Fan or Convection	
Average service life	800	h
Base	G 22 / 28x50	
Operating position	any	

### APPLICATION INFORMATION

#### Applications

- Effect lighting
- Advertisement projection

#### WARNING

This lamp emits a high level of ultraviolet (UV) radiation and operates at high pressure. Before use, read the complete warning accompanying the product.

#### Disposal

When disposing of spent lamps, always consult federal, state, local and provincial hazardous waste disposal rules and regulations to ensure proper disposal.

### ORDERING INFORMATION

Lamp description:	<b>HSR 1200/60</b>
NAED-Code:	54168
Standard case qty.:	20/case