

METALARC® POWERBALL® Ceramic

High CRI, Ceramic Metal Halide Tubular Single & Double-Ended Lamps



METALARC POWERBALL Ceramic T lamps meet today's color critical needs by combining conventional metal halide pulse start characteristics such as good efficacy and long life with improved lamp to lamp color consistency and high CRI.

Compared to conventional quartz metal halide products, SYLVANIA ceramic arc tube metal halide lamps exhibit less color variation and higher efficacy. Their high mean lumens, excellent color characteristics and compact size allow them to be used in a wide variety of applications.

METALARC POWERBALL Ceramic lamps operate on existing ANSI specified magnetic ballasts and on compatible electronic ballasts. The lamps can be used in appropriate existing fixtures designed for metal halide lamps of similar wattages and configurations.

Key Features & Benefits

Advantages of POWERBALL Ceramic Arc Tube Technology

- Excellent CRI, up to 95, yields more natural colors
- Long life and high efficacy
- Lower thermal output than tungsten halogen lamps having similar light output
- Superior color stability over the life of the lamp
- Improved lamp-to-lamp color consistency*
- UV-Stop technology significantly reduces UV output and minimizes discoloration and fading of materials
- Pulse start arc tube technology
- Strong G8.5 bases on TC lamps allow for more robust handling
- Compact light sources improve fixture optics

* Compared to quartz metal halide lamps of similar wattage

Product Offering

Wattage	Bulb Shape
20	T4.5
39	T4.5, T6
70	T4.5, T6
150	T7.5

Application Information

Applications

- Accent lighting
- Commercial
- Display lighting
- Industrial
- Landscape lighting
- Lobbies
- Malls
- Office areas
- Retail stores
- Studio lighting

Application Notes

1. METALARC POWERBALL Ceramic T4.5, T6, T7.5 and double-ended products must be operated in enclosed fixtures capable of containing particles as hot as 1200°C.

Fixtures

Contact your local fixture agent for available fixtures.

Ballast Information

Contact your OSRAM SYLVANIA representative or visit www.sylvania.com for a list of compatible electronic control systems and download the latest Ballast Technology & Specification Guide.



Specification Data

Catalog #	Type
Project	
Comments	
Prepared by	Date

Ordering Information

For Enclosed Rated Fixtures

Item Number	Ordering Abbreviation	Watts	Bulb	Base	ANSI ⁴ Code	Average Rated Life (hr.) ⁵	Initial Lumens	Mean Lumens	CCT	CRI
64882	MC20TC/U/G8.5/830 PB ^{1,3}	20	T4.5	G8.5	C156/E	15,000	1,700	1,275	3000K	83
64791	MC39TC/U/G8.5/830 PB ^{1,2}	39	T4.5	G8.5	C130/E	15,000	3,400	2,720	3000K	82
64363	MC39T6/U/G12/830 PB ^{1,2}	39	T6	G12	C130/E	15,000	3,400	2,720	3000K	82
64325	MC39T6/U/G12/940 PB ^{1,2}	39	T6	G12	C130/E	15,000	3,300	2,640	4200K	86
64825	MC70TC/U/G8.5/930 PB ^{1,2}	70	T4.5	G8.5	C139/E	15,000	6,300	5,040	3000K	95
64361	MC70T6/U/G12/830 PB ^{1,2}	70	T6	G12	C139/E	15,000	7,000	5,600	3000K	87
64200	MC70T6/U/G12/930 PB ^{1,2}	70	T6	G12	C139/E	15,000	6,400	5,120	3000K	95
64338	MC70T6/U/G12/940 PB ^{1,2}	70	T6	G12	C139/E	15,000	6,700	5,360	4200K	93
64359	MC150T7.5/U/G12/830 PB ¹	150	T7.5	G12	C142/E	15,000	15,500	12,400	3000K	89
64337	MC150T7.5/U/G12/940 PB ¹	150	T7.5	G12	C142/E	15,000	14,500	11,600	4200K	95
64793	MC70T6/DE/830 PB ²	70	T6	R7S RSC	C139/E, C85/E	15,000	6,900	5,520	3000K	88
64794	MC150T7.5/DE/830 PB	150	T7.5	RX7S RSC	C142/E, C81/E	15,000	14,800	11,840	3000K	91

- The circuit must include overcurrent protection (i.e., Thermally Switched Ballast).
- Minimum open circuit voltage for starting is measured with the ignitor in the circuit, minimum open circuit voltage is 209 VRMS.
- Designed for operation only on electronic ballasts.
- The first letter of an ANSI high-intensity discharge lamp designation represents the lamp type. "M" represents quartz metal halide lamps and "C" represents ceramic metal halide lamps. Following the lamp type, there is a number representing the electrical characteristics of the ballast. "M" or "C" lamps with the same electrical numbers will operate on the same ballasts (per ANSI C78.380-2007). For example, a 150W ceramic metal halide lamp that is intended to operate on a ballast intended for M102 quartz metal halide lamps would have the designation C102.
- Performance based on electronic ballast operation.

General Notes:

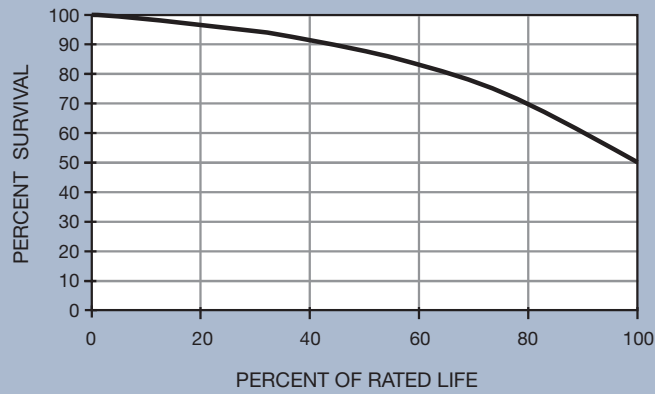
- Contact your local OSRAM SYLVANIA representative for compatible electronic ballasts.
- All ceramic lamps should be used with 4000V pulse rated socket only.
- No special handling requirements during installation (i.e., gloves not required). Always follow normal safety precautions during installation.

Ordering Guide

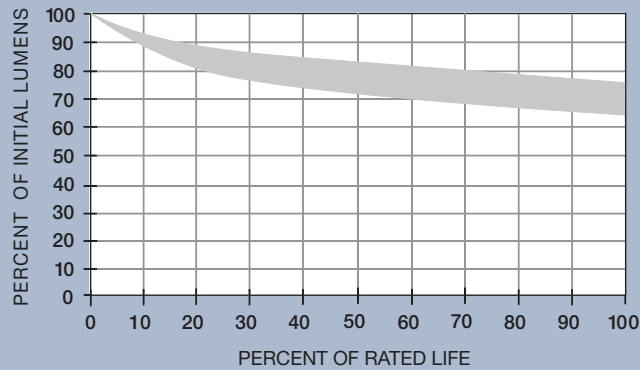
MC	70	T6	/	DE	/	U	/	G12	/	830	PB
M=METALARC®	Wattage:	Bulb Shape:		_ = Single Ended		Operating		Base: G8.5, G12		8=80+ CRI	PB=POWERBALL®
C=Ceramic	20, 39, 70	T4.5, T6		DE = Double Ended		position:				9=90+ CRI	
	100, 150	T7.5				Universal				30=3000K CCT	
										40=4200K CCT	

Technical Information

Typical Mortality Curve

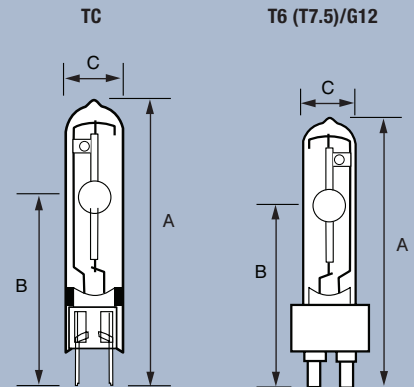
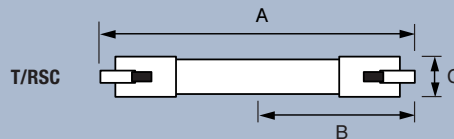


Typical Lumen Maintenance Curve



Lamp Dimensions

Lamp Shape	(A) MOL	(B) LCL	(C) Bulb Diameter
TC	3.19" (81mm)	2.05" (52mm)	0.591" (15mm)
T6/G12	3.94" (100mm)	2.20" (56mm)	0.748" (19mm)
T7.5/G12	4.13" (105mm)	2.20" (56mm)	0.984" (25mm)
T6/RSC	4.50" (120mm)	2.25" (60mm)	0.827" (20mm)
T7.5/RSC	5.20" (138mm)	2.60" (69mm)	0.945" (23mm)



Sample Specification

Lamp(s) shall be METALARC® POWERBALL® Ceramic MC70T6/U/ G12/830 lamp(s), and shall be constructed with a ceramic arc-tube with initial lumens of 6700. Lamp(s) shall have a CRI of 87, CCT of 3000K, and shall exhibit a maximum color shift of $\pm 150\text{K}$ over life. Lamps shall be rated for open fixture use.

United States

OSRAM SYLVANIA
100 Endicott Street
Danvers, MA 01923

Trade

Phone: 1-800-255-5042
Fax: 1-800-255-5043

National Accounts

Phone: 1-800-562-4671
Fax: 1-800-562-4674

OEM/Special Markets

Phone: 1-800-762-7191
Fax: 1-800-762-7192

Display/Optic

Phone: 1-888-677-2627
Fax: 1-800-762-7192

Canada

OSRAM SYLVANIA LTD.
2001 Drew Road
Mississauga, ON L5S 1S4

Trade

Phone: 1-800-263-2852
Fax: 1-800-667-6772

OEM/Special Markets/Display/Optic

Phone: 1-800-265-2852
Fax: 1-800-667-6772

www.sylvania.com

WARNING: This lamp can cause serious skin burn and eye inflammation from shortwave ultraviolet radiation if the outer envelope of the lamp is broken or punctured. Do not use where people will remain for more than a few minutes unless adequate shielding or other safety precautions are used. Lamps that will automatically extinguish when the outer envelope is broken or punctured are commercially available.

SYLVANIA and METALARC are registered trademarks of OSRAM SYLVANIA Inc.
SEE THE WORLD IN A NEW LIGHT is a registered trademark of OSRAM SYLVANIA Inc.
POWERBALL is a registered trademark of OSRAM GmbH.