



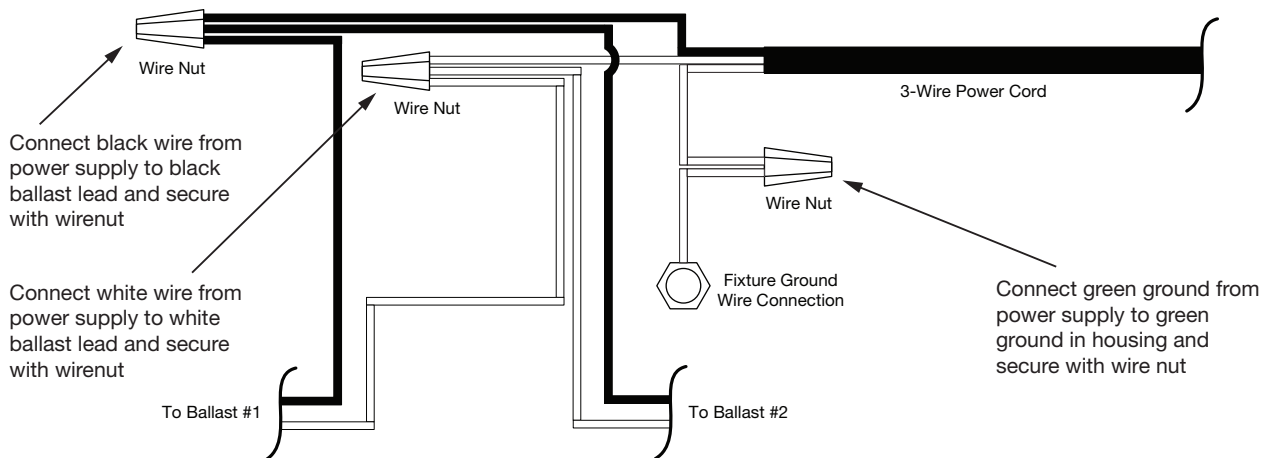
Elite Fixture General Installation Instructions

Please read instructions before proceeding with installation.

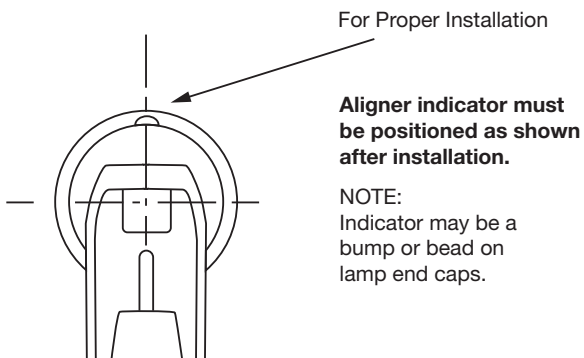
Precautions:

1. Handle fixture with care to avoid possible cuts or abrasions from exposed edges. TCP suggests using work gloves when installing fixture.
2. **TURN OFF** electricity at circuit breaker or fuse box before installation. Electricity should also be turned off before any fixture maintenance.
3. Check fixture for cuts or loose connections which could have occurred during shipment. If any are found, they must be repaired before proceeding.
4. To help reduce the risk of electric shock, TCP strongly recommends using a sturdy wooden or fiberglass ladder and rubber soled shoes during the installation of the fixture.
5. Consult your local building code for approved wiring.
6. Fixture must be grounded to help ensure reliable starting and to help reduce the possibility of electrical shock.
7. If fixture is switched from wall switch, make sure the black power supply wire is connected to the switch. Do not connect the white supply wire to the switch.
8. Be certain wire nuts are tight and no bare wires are exposed outside of the wire nuts. If needed, wrap in electrical tape.

Wiring Instructions:



Fluorescent Lamp Installation



Elite Series: Exploded View

