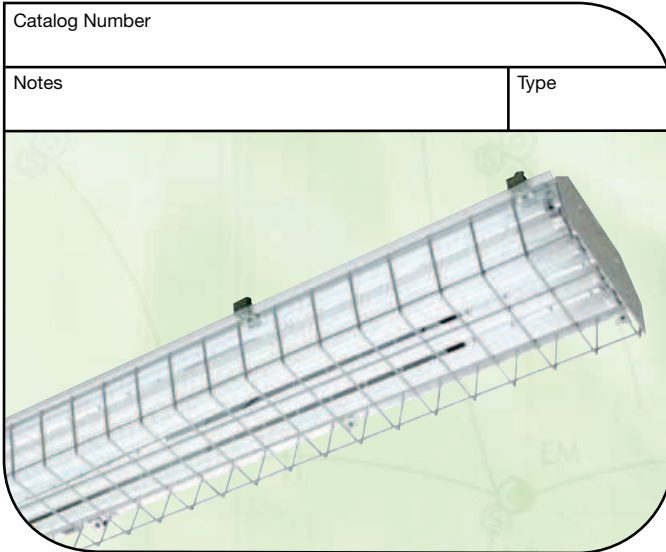


Power Cage Fluorescent High Bay T8/T5



Catalog Number	
Notes	Type

Application

The Power Cage's superior lumen package is ideal for replacing traditional metal halide high bay systems. Benefits include high efficiency, 95% lumen maintenance, improved color rendering, extended lamp life, multi-level switching, instant on, dimming and improved uniformity. Suggested mounting heights from 15' – 40' with primary applications including warehousing, commercial facilities, manufacturing facilities, open and stack aisle applications.

Description

The full body assembly accommodates multiple optics utilizing either T5 or T8 lamps. The Power Cage's heavy duty 20 gauge housing and 16 gauge wireguard exceed code gauge steel and all components, excluding the wireguard, are post painted with a glossy, high reflectance white paint. Sockets include secure positioning rotating collars.

Reflector Optics

The superior beam spread optic covers from narrow aisle lighting to open area general lighting. The Power Cage is available using a 95% reflectance specular aluminum (SA) Miro[®] 4 or a 92% reflectance white aluminum (WA) reflector, which have a 25 year warranty.

Electrical

All ballasts are class P rated and UL/CUL listed. Our ballasts are also thermally protected, sound rated and tightly secured by mounting bolts.

Finish

The baked white enamel finish is electrostatically applied and post painted with a glossy, highly reflective and durable white paint.

Power Cage Fluorescent High Bay T5 and T8 Series

Maintenance

No tools required for lamp and ballast access.

Installation

Suspension by chain, cable, hook or monopoint with appropriate accessories.

Warranty

One year warranty against defect in manufacturing.

Listing

UL/CUL Listed - Suitable for damp locations.

Catalog Ordering Matrix

Family	Reflector Distribution	Lamp Quantity	Lamp Type	Voltage	Ballast Factor	Specific Ballast	Options
PC4 - 4' Power Cage	SA - Narrow Distribution	3	28 - (T8 28W)	UNI - (120-277)	H - (T8 High)	Leave Blank - (TCP)	(See Below)
PC8 - 8' Power Cage	WA - Wide Distribution	4	32 - (T8 32W)	347	N - (T8 Normal)	GE - (GE)	
		*6	54 - (T5HO 54W)	480	L - (T8 Low)	ADV - (Advance)	
		*8			V - (T5HO)	ULT - (Universal)	
					HPRS - (T8 H Program Rapid Start)	SYL - (Sylvania)	Must provide ballast part number on order for specific ballast

OPTIONS

Power Cords

2P - 120V, 15A, 8' Power cord w/ straight blade plug
 3P - 120V, 15A, 8' Power cord w/ twist lock plug
 4T - 120V, 20A, 10' Power cord w/ twist lock plug
 11P - 208V, 15A, 8' Power cord w/ straight blade plug
 9T - 208V, 20A, 8' Power cord w/ twist lock plug
 8P - 277V, 20A, 8' Power cord w/ straight blade plug
 10P - 277V, 20A, 15' Power cord w/ straight blade plug
 10T - 277V, 15A, 10' Power cord w/ twist lock plug
 10T2 - 277V, 20A, 10' Power cord w/ twist lock plug
 6C - 120V-300V rated 6' Power cord only. No plug
 10C - 120V-300V rated 10' Power cord only. No plug
 10C6 - 120V-600V rated 10' Power cord only. No plug
 20C - 120V-300V rated 20' Power cord only. No plug
 6W - 600V rated 6' flexible metal conduit fixture whip
 6C4 - 120V-300V 6' Power cord only, 4 wire. No plug
 20C4 - 120V-300V 20' Power cord only, 4 wire. No plug
 8T - 480V, 20A, 8' Power cord w/ L8-20 twist lock plug

Occupancy Sensors

OS6 - Occupancy sensor w/ bracket for 15'+ mounting hgt.
 OS9 - Occupancy sensor w/ bracket for 15' mounting hgt.

Use a program rapid start ballast with occupancy sensor. EcoVations is not responsible for lamps failing prematurely due to an occupancy sensor being used with an instant start ballast.

Wire Guard / Lens

NWG - No wire guard
 PIL - Prismatic Insert Lens, to be used with Wire Guard
 PWL - Prismatic Wrap Lens, not to be used with Wire Guard

Emergency Ballasts

20B1 - TCP 450 LMS 90 min (T8)
 20B6 - TCP 700 LMS 90 min (T8)
 20B5 - TCP 1400 LMS 90 min (T8)
 20B3 - TCP 3000 LMS 90 min (T8 or T5)
 20BL5 - TCP 800 LMS 90 min (T5)
 20BL6 - TCP 1350 LMS 90 min (T5)
 B1 - 400 LMS 90 min (T8)
 B7 - 550 LMS 120 min (T8)
 B9 - 550 LMS 90 min (T8)
 B6 - 650 LMS 90 min (T8)
 B5 - 1350 LMS 90 min (T8)
 B3 - 3000 LMS 90 min (T8 or T5)
 BL5 - 700 LMS 90 min (T5)
 BL6 - 1250 LMS 90 min (T5)

Emergency Ballast Notes:

Orders with an emergency ballast must include a note on the order indicating the number of lamps to be operated, which lamp(s) will be operated by the emergency ballast (i.e. 3rd lamp), and what voltage is to be used (i.e. 120V). See Emergency Ballast Spec Sheets for details.

† If a desired lamp and/or ballast is needed in an EcoVations linear fluorescent fixture, please provide a spec sheet when consulting with your local sales rep. The sales rep will provide a price to use the desired lamp and/or ballast.

Lamps Installed in Job Pack

730 - T8 Lamps Only
 735 - T8 Lamps Only
 741 - T8 Lamps Only
 830 - T5 and T8 Lamps
 835 - T5 and T8 Lamps
 841 - T5 and T8 Lamps
 850 - T5 and T8 Lamps
 865 - T5 and T8 Lamps
 830HL - T8 Lamps Only
 835HL - T8 Lamps Only
 841HL - T8 Lamps Only
 850HL - T8 Lamps Only
 865HL - T8 Lamps Only

Special Mounting

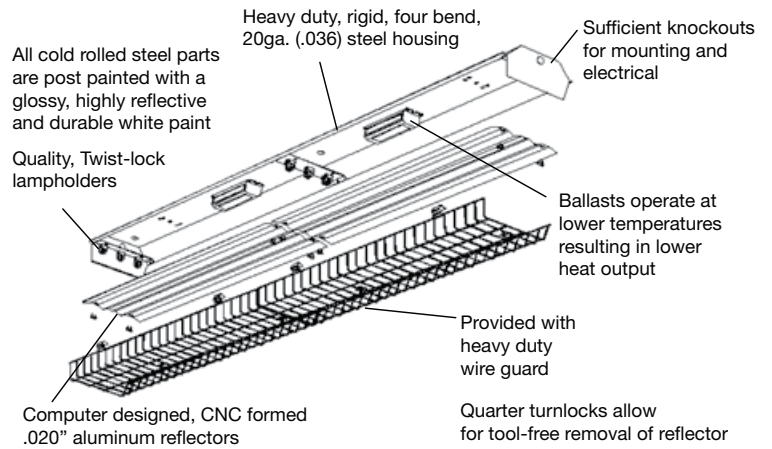
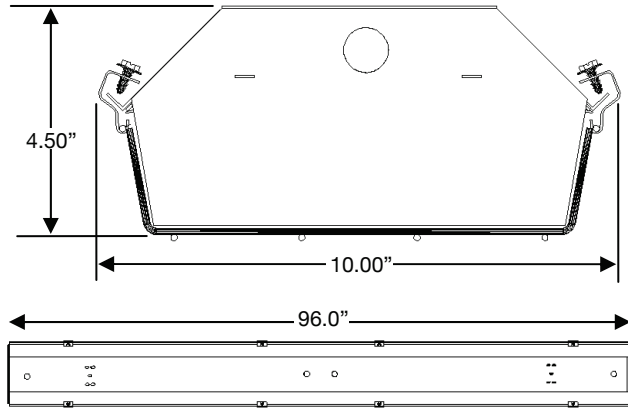
EZHANGER - 15' adjustable aircraft cable hanging kit

* 6 and 8 lamp available in PC8 housing only.

EcoVations will install supplied modular wire cords

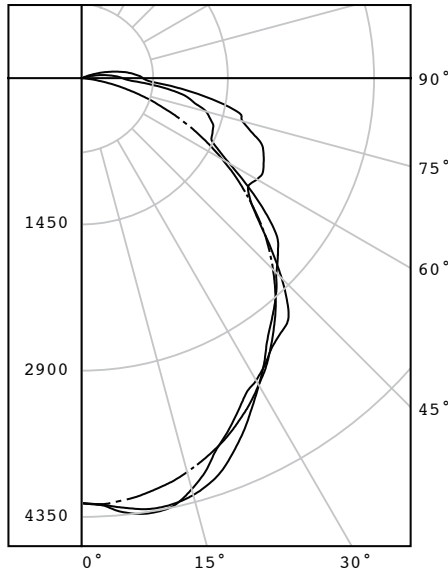
Power Cage Fluorescent High Bay T8/T5

Dimensions & Construction



Photometric Report

1 x 4 Power Cage, 3-54W, 95% Specular Reflector EcoVations Power Cage Luminaire with Enhanced Aluminum reflector, 3-54W lamps with lumen rating of 5000 lumens and one electronic ballast operating at 120 VAC and 178 watts.



Candela Distribution

	0.0	22.5	45.0	67.5	90.0
0.0	4214	4214	4214	4214	4214
5.0	4211	4226	4270	4294	4312
15.0	4043	4194	4279	4264	4219
25.0	3726	3953	3830	3702	3657
35.0	3267	3464	3203	3271	3278
45.0	2685	2749	2732	2894	2806
55.0	1987	2046	2152	2030	2028
65.0	1243	1417	1420	1868	1992
75.0	533	696	1279	1565	1652
85.0	41	401	669	858	888
90.0	0	159	370	505	560

Zonal Lumen Summary

Zone	Lumens	% Lamp	% Fixt.
0-30	3345	25.1	25.2
0-40	5418	40.6	40.9
0-60	9412	70.5	71.0
0-90	12883	96.5	97.2
90-120	371	2.8	2.8
90-150	371	2.8	2.8
90-180	371	2.8	2.8
0-180	13254	99.3	100.0

Total Luminaire Efficiency = 99.3%

Luminance Data in Candela/Square Meter

	0.0	45.0	90.0
45.0	13543	13994	14153
55.0	12429	13456	12685
65.0	10674	12194	17106
75.0	7524	18055	21627
85.0	1681	16253	19977

Photometric Report

Efficiency (total)	0.99
Spacing Criterion (0-Deg)	1.2
Spacing Criterion (90-Deg)	1.2