

Wet Location Fluorescent T8

Application

The Wet Location fixture is IP65 and IP67 rated, dust and moisture-resistant, making it ideal for harsh environments where humidity or moisture is present. Primary applications include:

- Food processing facilities
- Kitchens
- Public Areas
- Subways
- Schools
- Parking garages
- Gas Stations
- Government facilities
- Industrial facilities

Description

The full body assembly accommodates either T8 lamps. The gasketed enclosure is constructed of a fiberglass upper body and acrylic diffuser, with a continuous poured gasket. The diffuser and upper components are locked by retaining latches, which ensures a tight seal. Sockets include secure positioning rotating collars.

Reflector Optics

The superior beam spread optics are ideal for an open area general lighting. The Wet Location fixture comes standard with a white channel cover (WA), and is available using a 95% reflectance specular aluminum (SA) Miro®4 reflector, which has a 25 year warranty.

Electrical

All ballasts are class P rated and UL/CUL listed. Our ballasts are also thermally protected, sound rated and tightly secured by mounting bolts.



Wet Location Fluorescent T8 Series

Maintenance

No tools required for lamp and ballast access.

Installation

Suspension by chain, cable or hook with appropriate accessories.

Warranty

One year warranty against defect in manufacturing.

Listing

UL/CUL Listed - Suitable for damp locations.

Catalog Ordering Matrix

Family	Reflector Distribution	Lamp Quantity	Lamp Type	Voltage	Ballast Factor	Specific Ballast	Options
WL4 - 4' Wet Location	WA - Wide Distribution	1 (4' Fixture Only)	28 - (T8 28W)	UNI - (120-277)	H - (T8 High)	Leave Blank - (TCP)	(See Below)
WL8 - 8' Wet Location	SA - Narrow Distribution	2 (4' or 8' Fixture)	32 - (T8 32W)	347	N - (T8 Normal)	GE - (GE)	
		3 (4' Fixture Only)		480	L - (T8 Low)	ADV - (Advance)	
		4 (8' Fixture Only)			HPRS -	ULT - (Universal)	
		6 (8' Fixture Only)			(T8 H Program Rapid Start)	SYL - (Sylvania)	Must provide ballast part number on order for specific ballast

OPTIONS

Power Cords

2P - 120V, 15A, 8' Power cord w/ straight blade plug
 3P - 120V, 15A, 8' Power cord w/ twist lock plug
 4T - 120V, 20A, 10' Power cord w/ twist lock plug
 11P - 208V, 15A, 8' Power cord w/ straight blade plug
 9T - 208V, 20A, 8' Power cord w/ twist lock plug
 8P - 277V, 20A, 8' Power cord w/ straight blade plug
 10P - 277V, 20A, 15' Power cord w/ straight blade plug
 10T - 277V, 15A, 10' Power cord w/ twist lock plug
 10T2 - 277V, 20A, 10' Power cord w/ twist lock plug
 6C - 120V-300V rated 6' Power cord only. No plug
 10C - 120V-300V rated 10' Power cord only. No plug
 10C6 - 120V-600V rated 10' Power cord only. No plug
 20C - 120V-300V rated 20' Power cord only. No plug
 6W - 600V rated 6' flexible metal conduit fixture whip
 6C4 - 120V-300V 6' Power cord only, 4 wire. No plug
 20C4 - 120V-300V 20' Power cord only, 4 wire. No plug
 8T - 480V, 20A, 8' Power cord w/ L8-20 twist lock plug

Occupancy Sensors

OSWL3 - Occupancy sensor w/ bracket for Wet Location, Low Bay
 OSWL4 - Occupancy sensor w/ bracket for Wet Location, High Bay

Use a program rapid start ballast with occupancy sensor. EcoVations is not responsible for lamps failing prematurely due to an occupancy sensor being used with an instant start ballast.

Emergency Ballasts

20B1 - TCP 450 LMS 90 min (T8)
 20B6 - TCP 700 LMS 90 min (T8)
 20B5 - TCP 1400 LMS 90 min (T8)
 B1 - 400 LMS 90 min (T8)
 B7 - 550 LMS 120 min (T8)
 B9 - 550 LMS 90 min (T8)
 B6 - 650 LMS 90 min (T8)
 B5 - 1350 LMS 90 min (T8)

Emergency Ballast Notes:

Orders with an emergency ballast must include what voltage is to be used (i.e. 120V). See Emergency Ballast Spec Sheets for details.

Lamps Installed in Job Pack

730 - T8 Lamps
 735 - T8 Lamps
 741 - T8 Lamps
 830 - T8 Lamps
 835 - T8 Lamps
 841 - T8 Lamps
 850 - T8 Lamps
 865 - T8 Lamps
 830HL - T8 Lamps
 835HL - T8 Lamps
 841HL - T8 Lamps
 850HL - T8 Lamps
 865HL - T8 Lamps

Mounting

Supplied with a stainless steel mounting bracket.

Special Mounting

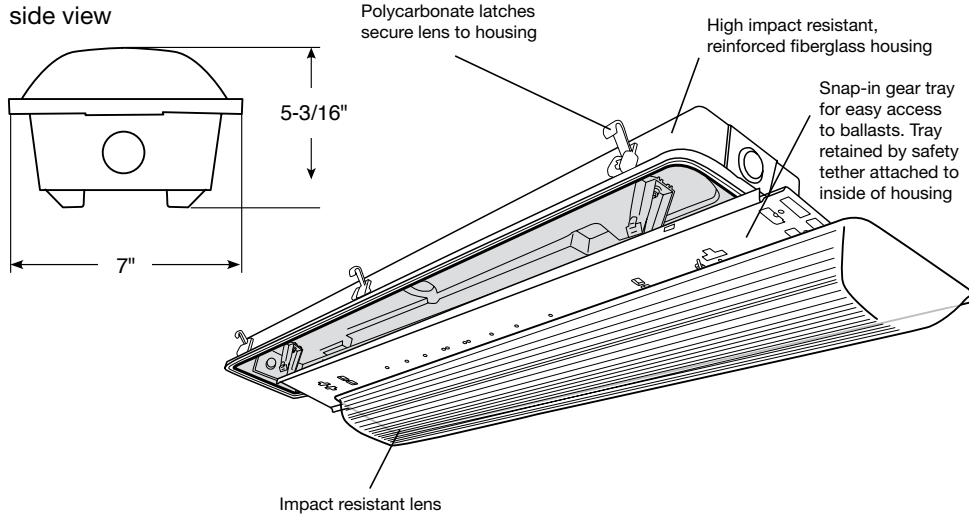
EZHANGER - 15' adjustable aircraft cable hanging kit
 12Pendantkit - Mounting kit for 1/2" pendants
 34Pendantkit - Mounting kit for 3/4" pendants
 LHKIT - Single Point Hook Mounting Kit complete

† If a desired lamp and/or ballast is needed in an EcoVations linear fluorescent fixture, please provide a spec sheet when consulting with your local sales rep. The sales rep will provide a price to use the desired lamp and/or ballast.

EcoVations will install supplied modular wire cords

Wet Location Fluorescent T8

Dimensions & Construction



Photometric Report

48" Wet Location Fixture, 3 - 32W

EcoVations Gasketed Luminaire with 3 - 32w lamps, lumen rating 2950 LMS.

Photometric Report

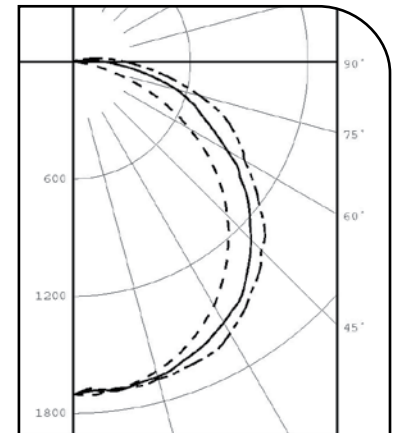
Efficiency (total) 0.58
 Spacing Criterion (0-Deg) 1.3
 Spacing Criterion (90-Deg) 1.4

Average Luminance (Candelas / Square Meter)

Angle	0	45.0	90
45	7417	8631	9134
55	6856	8591	8465
65	5746	7475	7918
75	3853	6704	7003
85	1524	4602	5371

Zonal Lumen Summary

Zone	Lumens	% Lamp	% Fixture
0-30	1367	13.4	23.2
0-40	2280	22.4	38.7
0-60	4184	41.1	71.0
0-90	5741	56.4	97.4
90-180	153	1.5	2.6
0-180	5894	57.9	100



Quadrilaterally Symmetric 0 Degree (dash line) 90 Degree

Coefficient of Utilization Table Effective Floor Cavity Reflectance = 20%

Pcc... Pw... RCR	80				70				50				30				10				0	
	70	50	30	10	70	50	30	10	50	50	30	10	30	50	30	10	10	50	30	10	0	0
0	69	69	69	69	67	67	67	67	63	63	63	63	60	60	60	60	58	58	58	58	56	56
1	62	59	56	53	60	57	54	52	54	52	50	50	52	50	48	48	49	48	47	47	45	45
2	56	50	46	42	54	49	45	42	47	43	41	41	45	42	39	43	40	38	38	37	37	37
3	50	44	39	35	49	43	38	34	41	37	34	34	39	36	33	37	34	32	32	31	31	31
4	46	39	33	29	45	38	33	29	36	32	28	28	35	31	28	33	30	27	27	26	26	26
5	42	34	29	25	41	34	29	25	32	28	24	24	31	27	24	30	26	23	23	22	22	22
6	39	31	25	22	38	30	25	21	29	24	21	21	28	24	21	27	23	20	20	19	19	19
7	36	28	23	19	35	27	22	19	26	22	19	19	25	21	18	24	21	18	18	17	17	17
8	34	25	20	17	32	25	20	17	24	20	17	17	23	19	16	22	19	16	16	15	15	15
9	31	23	18	15	30	23	18	15	22	18	15	15	21	17	15	21	17	15	15	13	13	13
10	29	21	17	14	28	21	17	14	20	16	13	13	20	16	13	19	16	13	13	12	12	12

Photometric Data by Independent Testing Lab ITL Boulder.