

Project:	Toshiba Lamp:
Type:	Notes:

Ordering Information

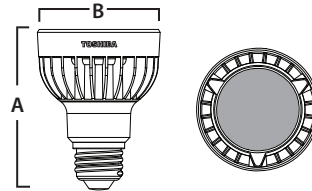
Ordering Code	Input Voltage (VAC)	Lamp Shape	Base Type	Wattage (W)	CCT ¹	Beam Angle	Initial Lumens (lm) ²	Lamp Efficacy (lm/W)	Rated Life (hrs) ³	CBCP (cd)	CRI	Power Factor	Equivalency ⁴	Lamp Weight lb (g)
9P20/827SP8	120	PAR20	E26	8.6	2700K	8°	380	44.2	40,000	6600	80	>0.70	60W Halogen	0.38 (172)
9P20/827NFL25	120	PAR20	E26	9.0	2700K	25°	390	45.3	40,000	1600	80	>0.70	55W Halogen	0.41 (186)
9P20/830SP8	120	PAR20	E26	8.6	3000K	8°	385	44.8	40,000	6700	81	>0.70	60W Halogen	0.38 (172)
9P20/830NFL25	120	PAR20	E26	9.0	3000K	25°	400	46.5	40,000	1600	80	>0.70	55W Halogen	0.41 (186)

- CCT Range complies to ANSI C78.377-2008.
 - Thermally stable typical lumens (± 10%)
 - Rated life is based on 70% lumen maintenance, and engineering testing and probability analysis.
 - Equivalency based on the Energy Star® Integral LED Lamp Center Beam Intensity Benchmark Tool.
- Note: All Information consistent with IESNA LM-80-08 results and IESNA LM-79-08 testing completed by a qualified third party facility.
 Note: All lamps meet Energy Star® Integral LED Lamp requirements, and will be submitted for testing.
 Note: 5 Year Warranty based on 24 hr/day usage.



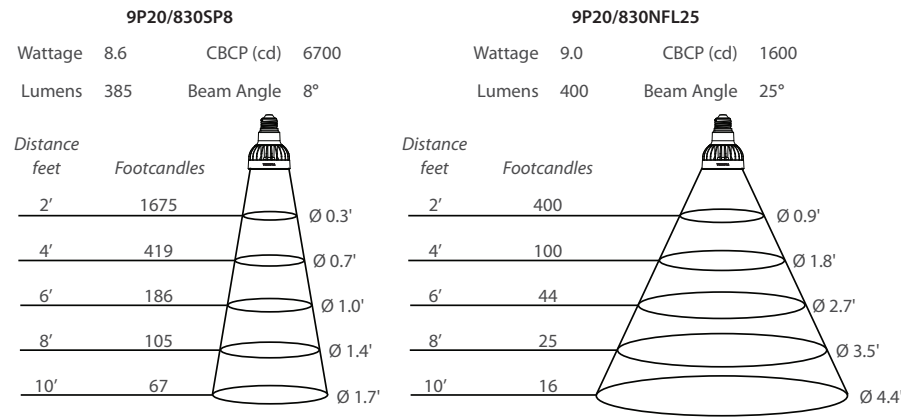
Dimensions

E-Core Model	MOL (A)	Diameter (B)
PAR20	3.26" (82.7 mm)	2.48" (63 mm)



Note: Lamp shape conforms to ANSI C78.21-2003.
 Note: Designed to comply with RoHS Directive 2002/95/EC.

Illuminance Cone Diagrams



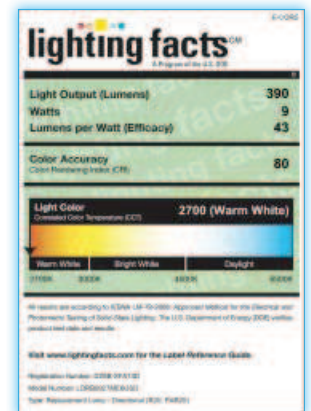
Energy Savings

	20W Halogen	35W Halogen	55W Halogen	60W Halogen
9P20/830SP8	\$50.16	\$116.16	\$204.16	\$226.16*
9P20/830NFL25	\$48.40	\$114.40	\$202.40*	\$224.40

*Actual Equivalent Replacement, based on the Energy Star® Integral LED Lamp Center Beam Intensity Benchmark Tool.
 Note: Energy Savings based on using one bulb for 40,000 hr rated life at 11¢/kWh. Does not include maintenance and replacement lamp savings.

Ordering Guide

9	P20	/	827	SP8
Wattage	Lamp Type		CRI + CCT	Beam Angle
8.6/9.0 Watts	PAR20 = P20		80 CRI + 2700K = 827 80 CRI + 3000K = 830	Spot 8° = SP8 Narrow Flood 25° = NFL25
= 9				



Available for all color temperatures