

Model Number:

Accessories:

Type:

Job:

Approvals:

**PRODUCT SPECIFICATIONS**

**CONSTRUCTION**

The Trace-lite TL106 Series features a durable, die-cast aluminum enclosure with an architectural bronze powder coated finish. Enclosure is fully sealed and gasketed, and is Wet Location Listed for outdoor use. Enclosure and hardware are corrosion resistant. The TL106 features an internal, anodized aluminum reflector which provides ideal light distribution, and the lamp(s) are protected by a high-impact, heat resistant borosilicate glass refractor.

**LAMPS & BALLASTS**

Compact Fluorescent: 4-Pin Triple Tube lamps from 26 to 42 watts, utilizing a GX24-q3 base with an electronic programmed start ballast rated for a minimum operating temperature of -20°C (-4°F) and 120/277VAC input.

**INSTALLATION**

The Trace-lite TL106 Series is ideal for mounting to any vertical surface and features a hinged design for easy access to internal components. Can be wired to a 4" junction box, or surface mounted using 1/2" NPT conduit entry points.

**WARRANTY**

Any housing component that fails due to manufacturer's defect is guaranteed for two years from time of shipment. Ballasts, Capacitors, and Ignitors are warranted for one year from time of shipment. Warranty does not apply to damages caused by improper installation, abuse, fire or acts of God. Lamp is not covered by manufacturer's warranty.



The Trace-lite TL106 Series is a durable, medium wallpack that is ideal for parking areas, entrances, walkways, underpasses, loading docks, and recreation areas.



SPECIFICATIONS ARE SUBJECT TO CHANGE WITHOUT NOTICE

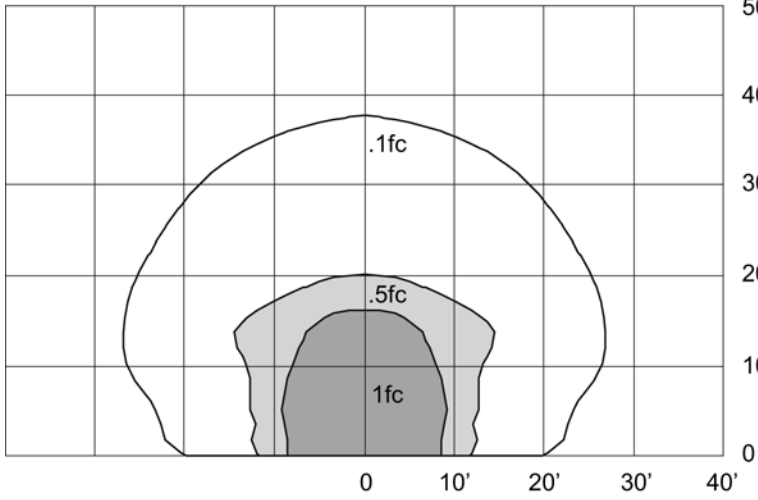
**ORDERING INFORMATION**

TL106	CF	42	120/277	SZ120	PC1
SERIES	LAMP	WATTS	VOLTS	OPTIONS (Factory Installed)	ACCESSORIES <sup>2</sup> (Field Installed)
TL106	CF = Compact Fluorescent	26 = 26W 32 = 32W 42 = 42W 52 = 26W x 2 64 = 32W x 2 84 = 42W x 2	120/277=120/277V	SZXXX <sup>1</sup> = Single Line Side Fuse (Specify 120 or 277V) EMXXX <sup>1</sup> = Emergency Ballast (Specify 120 or 277V) 2B = Two AC Ballasts for (2) Lamp Fixtures USA = Meets Buy America Requirements	PC1 = 120V Photocontrol PC2 = 208-277V Photocontrol WG106 = Wire Guard PG106 = Polycarbonate Guard FC106 = Full Cutoff Shield RL106 = Replacement Lens

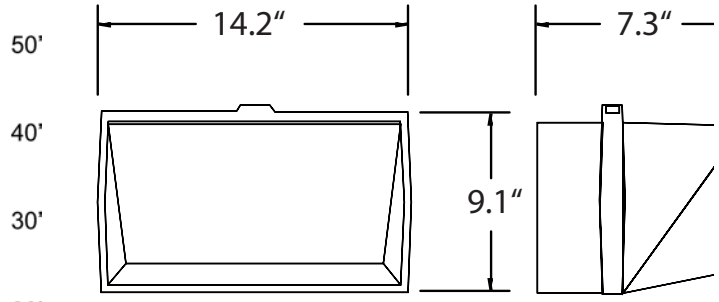
<sup>1</sup> Specify 120 or 277V  
<sup>2</sup> Order as Separate Line Item

**SAMPLE PHOTOMETRICS**

TL106-CF-42 Mounted at 10'



**DIMENSIONS**



Approximate Weight: 10 lbs.