

Model Number:

Approvals:

Accessories:

Type:

Job:

**DESCRIPTION**

The INSPIRE's low profile architectural design combined with a high performance light source makes it an attractive and smart choice. Constructed of die cast aluminum, the INSPIRE uses a UV resistant powder coated finish to protect against the elements and is UL listed for wet locations. The INSPIRE incorporates contractor friendly features that allow for ease of installation including a hinged design for easy access and the EZ-LITE quick mounting system which fits standard junction boxes. Available in 10, 20 or 30 watts, the INSPIRE provides a wide spectrum of application options for schools, office complexes, light commercial, apartments and recreational facilities.

**SPECIFICATIONS**

**Construction:**

Precision molded die cast aluminum housing with removable hinged access door offers durable performance and clean aesthetics. Heat fins on top of fixture incorporate a 5% pitch to allow for water and debris run off. Fixture is completely sealed and gasketed. Stainless steel Torx head captive fasteners provide tamper resistant securement. INSPIRE also incorporates a UV resistant, long lasting bronze powder coated finish.

**Optics:**

INSPIRE delivers exceptional light quality, efficiency and light distribution. The patent-pending optical system is available in 5, 10 or 15 LED configurations providing 4700K color and a CRI of 85. Each LED is strategically positioned to optimize the light distribution and minimize glare and light pollution.

**Electrical:**

LED drivers are securely mounted directly to the die cast aluminum housing optimizing thermal management. LEDLITE<sup>logic</sup> heat sinking technology moves heat away from the LEDs maximizing system performance and delivering 50,000+ hour life with >70% lumen maintenance. The INSPIRE series operates from 120-277V 50/60Hz with an auto-ranging voltage controlled circuit and simple two (2) wire input. The INSPIRE is suitable for operation in -30°C to 40°C ambient conditions. Optional transient protection system and photocontrols are available.

**Environmentally Friendly Design:**

INSPIRE luminaires consume very little energy and provide long life in comparison to traditional lamp technologies. Our manufacturing process contains no harmful chemicals such as mercury or lead and emits an extremely low UV and minimal heat. The compact design allows for the use of fewer materials and is recyclable, resulting in less overall waste.

**Installation:**

The INSPIRE series features our EZ-LITE gasketed steel mounting plate which easily attaches to a 3" or 4" j-box. Fixture is secured using two (2) corrosion resistant stainless steel allen head set screws recessed into the bottom of the mounting canopy. The Inspire can also be pole mounted using a pole mount bracket assembly that can mount up to (4) fixtures on standard 4" square or round poles.

**IESNA LM-79 and LM-80:**

The INSPIRE is evaluated in accordance with the parameters outlined and reported by LM-79 and LM-80 documents.

**Listing:**

UL Listed for wet locations.

**Warranty:**

The INSPIRE LEDLITE<sup>logic</sup> series features a 5 year warranty.

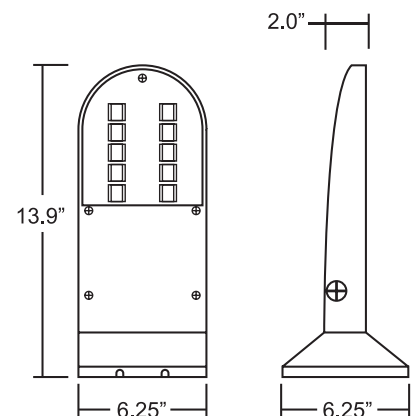
**LEDLITE<sup>logic</sup>**



Fixture Performance			
Watts	Lumens	Lumens Per Watt (LPW)	Total Watts
10	729	73	14
20	1310	66	25
30	1871	62	37

NOTE: Lumen maintenance and life (part of LM-80 data) are per published information from primary LED suppliers and is based on design operation at their specified thermal management and electrical design parameters.

**DIMENSIONS**



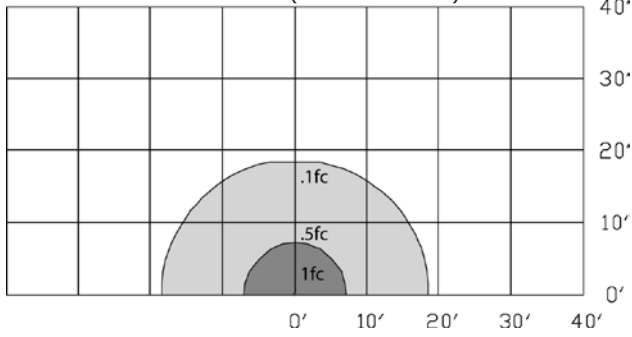
APPROX. WEIGHT: 8 lbs.



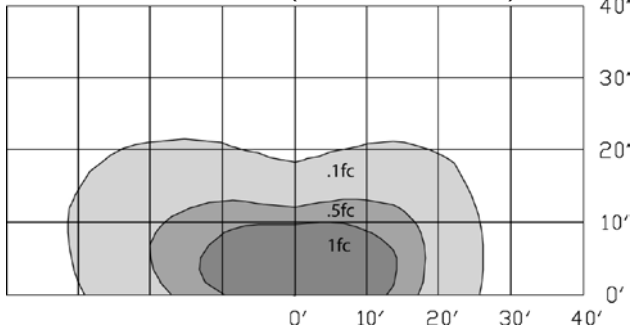
SPECIFICATIONS ARE SUBJECT TO CHANGE WITHOUT NOTICE

## SAMPLE PHOTOMETRICS

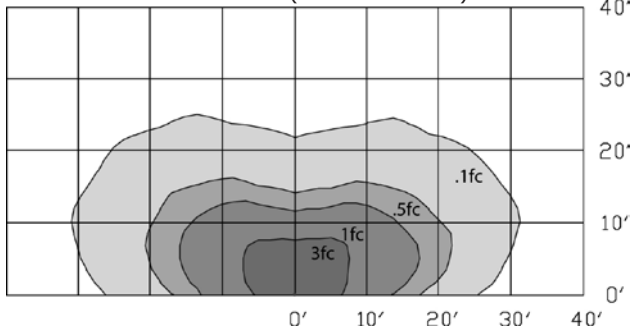
TLED-I-10 MOUNTED AT 10' (TYPE II CUTOFF)



TLED-I-20 MOUNTED AT 10' (TYPE II SEMI-CUTOFF)



TLED-I-30 MOUNTED AT 10' (TYPE III CUTOFF)



## ORDERING INFORMATION

TLED-I	10	DT	PC1	TLED-I-PMS4
SERIES	TOTAL WATTS	VOLTS	OPTIONS (Factory Installed)	ACCESSORIES <sup>1</sup> (Field Installed)
TLED-I	10 = 10 Watts 20 = 20 Watts 30 = 30 Watts	DT = 120-277V	PC1 <sup>2</sup> = 120V Photocontrol PC2 <sup>2</sup> = 208-277V Photocontrol	TLED-I-PMSX <sup>3</sup> = Square 4" Pole Mount (1, 2, 3 or 4 fixtures) TLED-I-PMRX <sup>3</sup> = Round 4" Pole Mount (1, 2, 3 or 4 fixtures)

<sup>1</sup> Order As Separate Line Item  
<sup>2</sup> Not Available on 30 Watt Units  
<sup>3</sup> X = Specify Number of Fixtures