

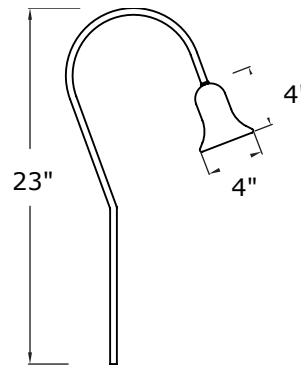


TROY
Landscape Lighting
A Division of Troy-CSL Lighting, Inc.

PATH LIGHT R-G132B



- T3 bi-pin lamp (20W included)
- 25' of 18 AWG SPT-2W cable included
- All Solid Brass
- G4/GU5.3 socket with stainless steel spring
- 1/2" NPS solid brass stem with ABS stake included for quick installation
- Optional cast brass or powder coated cast aluminum stake
- Direct-bury wire connectors included
- Requires low voltage power supply, ordered separately



R-A3A



R-A3B

OPTIONAL PARTS

MODEL NO	DESCRIPTION
R-A3A	Aluminum Stake Powder Coat
R-A3B	Natural Solid Brass Stake

Model	Material	Socket/Lamp	Natural Finishes		Powder Coat	
R-G132	B	Solid Brass G4/GU5.3 20W L-JCB-20	NAP	NAR	PAB	PBZ
			NAS	NAZ	PDV	POC
			NOC	UFB	PRI	PSD
				PTB	PWB	
				PTW		

R-G132B - NAP

MODEL NO	MATERIAL	FINISH
	B=Brass	Natural Autumn Patina

*We reserve the right to change specifications without notice.

Natural Patinas

Natural Antique Bronze (NAZ) is the Standard finish. Other Natural Patina finished and Powder Coat finishes are available for an extra charge.

Troy Landscape Lighting Natural Patinas are chemically etched finishes available on Solid Brass and Solid Copper fixtures only. chemical etching accelerates the natural aging and weathering that copper and brass experience when used outdoors. These finishes will continue to develop and richen over time. They begin with an "N". Unfinished Brass and Unfinished Copper are just as described - unfinished. The metal will oxidize and darken with age.

Powder Coat Finishes

Troy Landscape Lighting powder coat finish colors are available on all fixtures for an additional charge. The powder coat finish is baked on at 400° over a primer pre-coat for both chip and weather resistance. All powder coat finishes begin with a "P".

Standard Finish on Solid Brass



NAZ

Natural Antique Bronze

Natural Patina Finishes on Solid Brass



NAP

Natural Autumn Patina



NAR

Natural Rust



NAS

Natural Antique Brass



NOC

Natural Old Copper



UFB

Unfinished Brass

Natural Patina Finishes on Solid Copper



NOC

Natural Old Copper

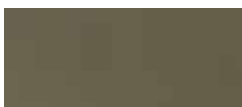


UFC

Unfinished Copper

**COPPER
AVAILABLE ON
LIMITED MODELS -
SEE INDEX**

Powder Coat Finishes All Metal Fixtures



PAB

Aged Bronze



PBZ

Bronze



PDV

Dark Verdi



POC

Old Copper



PRI

Rusty Iron



PSD

Sand



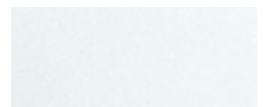
PTB

Textured Black



PWB

Textured Weathered Brown



PTW

Textured White

*We reserve the right to change specifications without notice.