



1720 Hayden Drive  
 Carrollton, TX 75006  
 P: 469.892.1122  
 F: 469.892.1123  
 www.upgi.com

maintenance-free

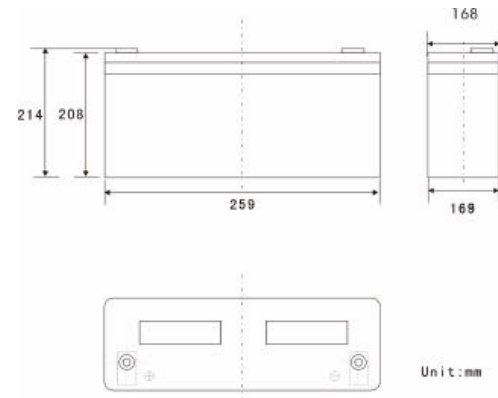
# sealed lead-acid battery

model #UB12750

upg #45822



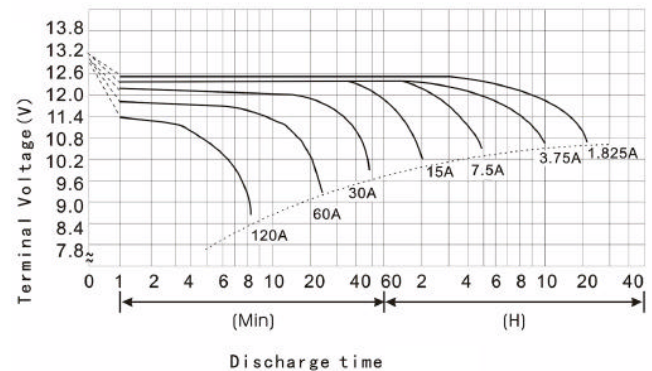
## Dimensions



## Specifications

Nominal voltage		12V
Rated capacity (20 hour rate)		75Ah
Dimensions	Length	259(mm)
	Width	169 (mm)
	Height	208 (mm)
	Total Height	214 (mm)
Approx. weight (+ or - 5%)		23.82kg

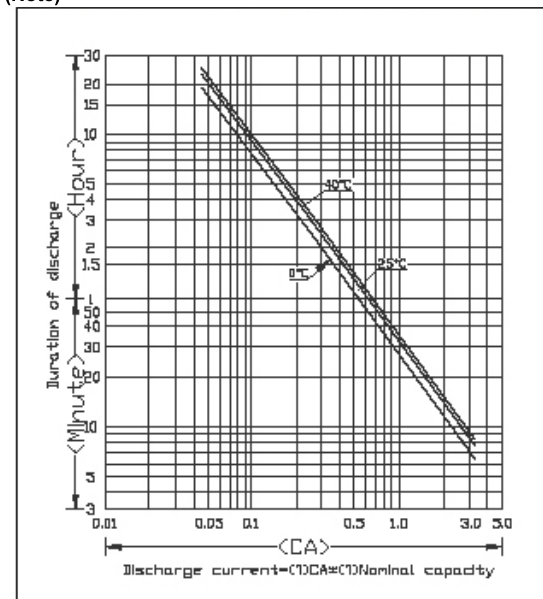
## Discharge characteristics 77° F (25° C) (Note)



## Characteristics

Capacity(Note) 77° F (25° C)		20 hour rate( 0.05A) 10 hour rate( 0.09A) 5 hour rate( 0.17A) 1 hour rate( 0.60A)	75Ah 69.7Ah 63.7Ah 45Ah
Internal resistance (milliohms)		Fully charged battery 77° F (25°C)	8
Temperature dependency of capacity (20 hour rate)		104° F 77° F 32° F 5° F	102% 100% 85% 65%
Self discharge 77° F (25°C)		Residual capacity after standing 3 months Residual capacity after standing 6 months Residual capacity after standing 12 months	90% 80% 60%
Charge Method (Constant Voltage)	Cycle use (Repeating use)	Initial current	8.8 A or smaller
	Float use	Control voltage	14.5-14.9V
		Control voltage	13.6-13.8v

## Duration of discharge vs. Discharge current (Note)



(Note) The above characteristics data are average values obtained within three charge/discharge. Cycles not the minimum values.