

USHIO

METAL HALIDE LAMPS

CERAMIQUE™ SINGLE AND DOUBLE ENDED SERIES



CERAMIC METAL HALIDE LAMPS FOR GENERAL LIGHTING

USHIO Ceramique™ Compact Metal Halide Lamps feature a ceramic arc tube which provides excellent color rendering and high color stability over the entire life of the lamp. The UV protected glass envelope reduces the fading effect on textiles and artwork. The compact lamp size optimizes the use of advanced reflector and fixture designs to provide more precise beam distributions. USHIO Ceramique™ lamps are ideal for applications where color rendering and color consistency from lamp to lamp is critical.

Available in:

Single ended G12 Base— 39W, 70W and 150W

Double ended RX7s Base— 70W and 150W

with color temperatures ranging from 2800K to 4200K

FEATURES & BENEFITS

- Excellent color consistency from lamp to lamp
- High color stability over the entire lifetime
- Hot re-strike possible with RX7s base lamps
- Excellent color rendering — 80 to 90+ CRI
- Long life — Up to 15,000 hours average life
- UV Protection

APPLICATIONS

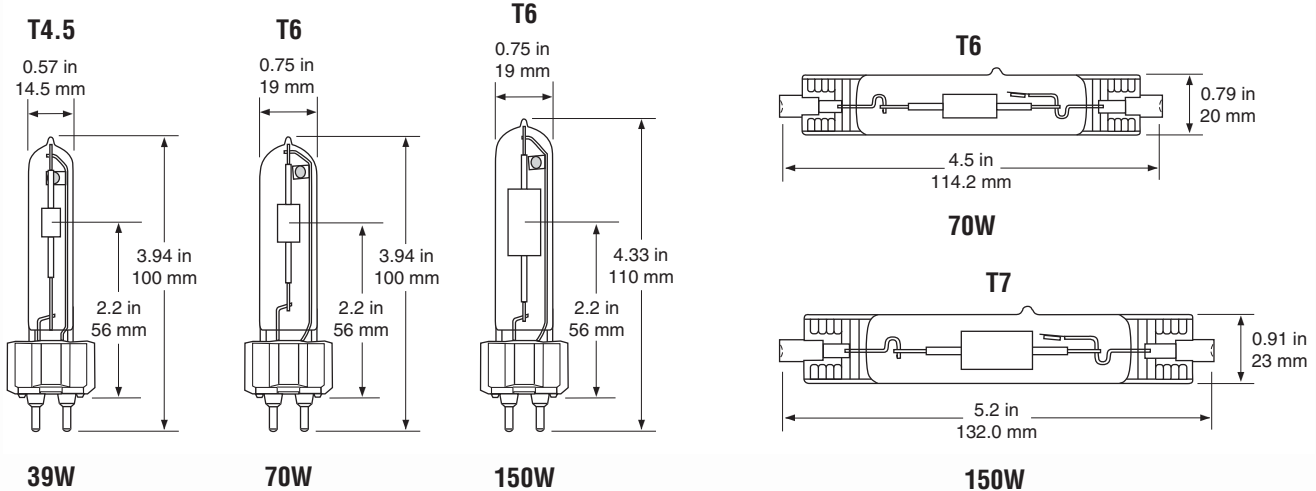
- Shop Windows
- Hotels, Restaurants
- Museums, Galleries
- Swimming Pools
- Landscape
- Spot Lighting
- Fiber Optic
- Track Lighting

Distributed by:

USHIO

CHARACTERISTICS & SPECIFICATIONS

CERAMIQUE™ G12 & RX7s Base



Watts (W)	USHIO Ordering Code	USHIO Lamp Description	Lamp Current (A)	Lumens Initial (lm)	Lumens Mean (lm)	Color Temp (K)	CRI	ANSI Ballast	Avg Life (h)	Burn Position
SINGLE ENDED — G12 Base										
39	5001320	CMS-39/T4.5/830/G12	0.50	3400	2400	3000	80+	M/130E	10000	Universal
70	5001321	CMS-70/T6/830/G12	0.98	6200	5000	3000	80+	M85/E, M98/E, M139/E	15000	Universal
70	5001322	CMS-70/T6/942/G12	0.98	6400	5200	4200	>90	M85/E, M98/E, M139/E	15000	Universal
150	5001323	CMS-150/T6/830/G12	1.85	14000	11000	3000	80+	M81/E, M102/E, M142/E	12000	Universal
150	5001324	CMS-150/T6/942/G12	1.85	13000	11000	4200	>90	M81/E, M102/E, M142/E	12000	Universal
DOUBLE ENDED — RX7s Base										
70	5001410	CMD-70/TD/828/RX7S	0.90	6500	—	2800	80+	M85/E, M98/E, M139/E	8000	Horiz ±45°
70	5001316	CMD-70/TD/830/RX7S	0.90	7000	5600	3000	80+	M85/E, M98/E, M139/E	15000	Horiz ±45°
70	5001317	CMD-70/TD/942/RX7S	0.90	7000	5600	4200	>90	M85/E, M98/E, M139/E	15000	Horiz ±45°
150	5001318	CMD-150/TD/830/RX7S	1.80	14500	11500	3000	80+	M81/E, M102/E, M142/E	15000	Horiz ±45°
150	5001319	CMD-150/TD/942/RX7S	1.80	12500	11500	4200	>90	M81/E, M102/E, M142/E	15000	Horiz ±45°

ANSI Fixture Requirement:
/E = Enclosed fixture required
UVB & UVC protected

(Hg) - LAMP CONTAINS MERCURY
Manage in Accord with Disposal Laws
See: www.lamprecycle.org or 1-800-895-8842

R - NON SELF EXTINGUISHING LAMP

WARNING: This lamp can cause serious skin burn and eye inflammation from shortwave ultraviolet radiation if outer envelope of the lamp is broken or punctured. Do not use where people will remain for more than a few minutes unless adequate shielding or other safety precautions are used. Lamps that will automatically extinguish when the outer envelope is broken or punctured are commercially available. Complies with the USA Federal Standard 21 CFR 1040.30 and Canada Standard SOR/80-381.

Form No. S-CMH/R-0911

The specifications on this sheet supercede all previously published specifications and may be subject to change for design and specification improvement without prior notice.

Ignition Voltage: 4kV
Use only in fixtures installed with safety glass

Lamp should be switched off for at least
15 minutes/week



Scan with a smartphone
to view this product online.