

USHIO

METAL HALIDE LAMPS

COLORLITE™ SERIES

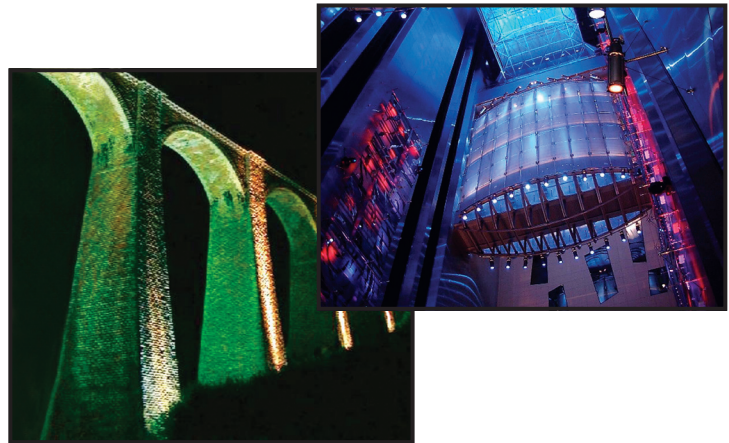


COLORLITE™ METAL HALIDE LAMPS FOR GENERAL LIGHTING

Paint accents with colorful light! USHIO Colorlite™ Metal Halide lamps produce saturated colors of blue, green, magenta and orange. The special mixture of halides provide all of the color without the use of expensive gels or color filters. Colorlite™ lamps can be used with standard Metal Halide ballasts and fixtures.

Available in—

- Double Ended 150W in Blue, Green, Magenta, & Orange
- ED17 150W & 175W in Blue, Green, Magenta, & Orange
- T15 250W in Blue, Green, Magenta, & Orange
- T15 400W in Blue, Green, & Magenta
- T25 1000W in Blue & Green



FEATURES & BENEFITS

- High color saturation
- High efficiency
- Consistent color
- No color filter required for fixture



APPLICATIONS

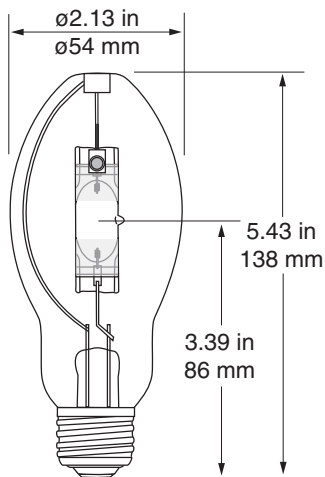
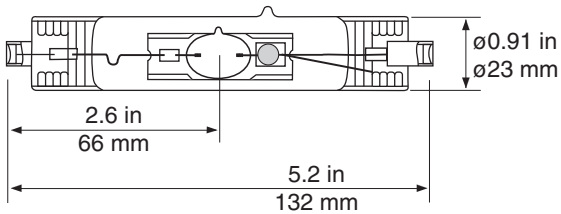
- Theme Parks
- Building Facades
- Theatre and Stage Effects
- Recreation Centers
- Bridges
- Gardens and Parks
- Museums and Galleries
- Shop Windows
- Balloon Lights
- Landscape
- Aquascape

USHIO

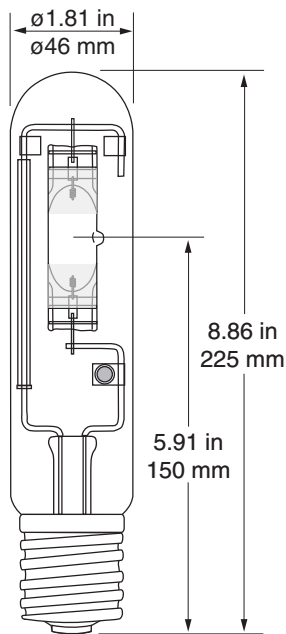
CHARACTERISTICS & SPECIFICATIONS

COLORLITE™ METAL HALIDE

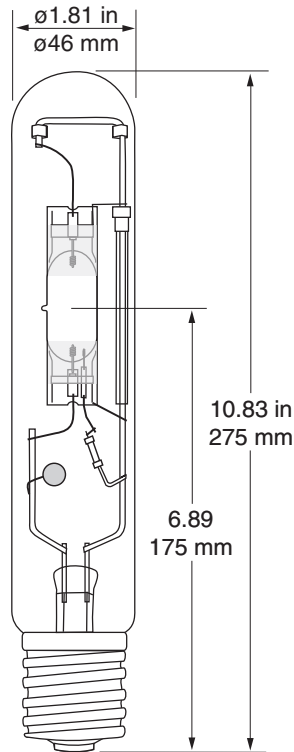
**T7
150W**



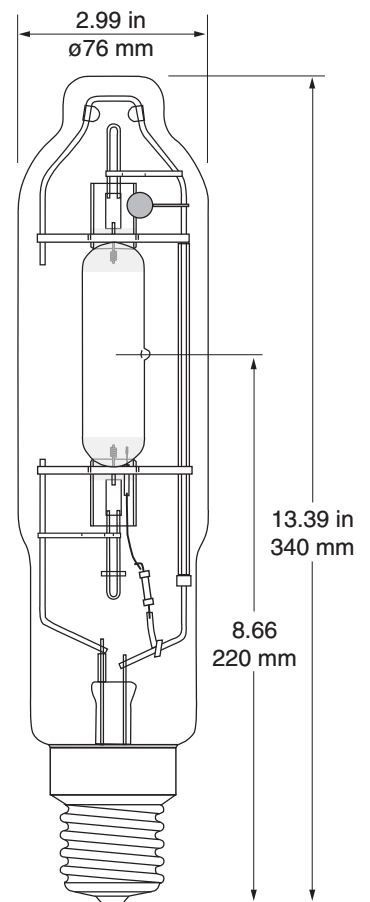
**ED17
150W, 175W**



**T15
250W**



**T15
400W**



**T25
1000W**



CHARACTERISTICS & SPECIFICATIONS

COLORLITE™ METAL HALIDE

Watts (W)	USHIO Ordering Code	USHIO Lamp Description	Lamp Current (A)	Luminous Flux (lm)	Wavelength (nm)	Saturation (%)	Ballast	Burn Position
RX7s Base – T7								
150	5000821	UHI-150BL	1.80	3000	465	56	M81/E	Horiz ±45°
150	5000822**	UHI-150GR	1.80	9500	530	50	M81/E	Horiz ±45°
150	5000823**	UHI-150MG	1.80	8000	-515	33	M81/E	Horiz ±45°
150	5000824**	UHI-150OR	1.80	10000	595	60	M81/E	Horiz ±45°
E26 Base – ED17								
150	5001453**	UHI-S150/E26/BLUE	1.80	3900	470	70	M102/E	Universal
150	5001452**	UHI-S150/E26/GREEN	1.80	12500	530	46	M102/E	Universal
150	5001498**	UHI-S150/E26/MAGENTA	1.80	7500	-530	43	M102/E	Universal
150	5001499**	UHI-S150/E26/ORANGE	1.80	11200	600	54	M102/E	Universal
175	5001455	UHI-S175/E26/BLUE	1.50	3900	470	70	M57/E	Universal
175	5001454	UHI-S175/E26/GREEN	1.50	12500	530	46	M57/E	Universal
E39 Base – T15								
250	5001484	UHI-S250/E39/BLUE	3.00	5400	465	66	M80/E*	Universal
250	5001485**	UHI-S250/E39/GREEN	3.00	21000	530	50	M80/E*	Universal
250	5001486**	UHI-S250/E39/MAGENTA	3.00	11000	-560	29	M80/E*	Universal
250	5001487**	UHI-S250/E39/ORANGE	3.00	17000	595	54	M80/E*	Universal
400	5000947	UHI-S400BL	3.25	8000	465	66	M59/E	Universal
400	5000946	UHI-S400GR	3.25	35000	535	63	M59/E	Universal
400	5000948	UHI-S400MG	3.25	21000	-500	25	M59/E	Universal
E39 Base – T25								
1000	5001189	UHI-S1000BL	4.10	22000	455	61	M47/E	Horiz ±60°
1000	5001188	UHI-S1000GR	4.10	92000	535	60	M47/E	Horiz ±60°

Recommended Ignition Voltage: 4kV

* Need ignitor with 4kV

Lamp should be switched off for at least 15 minutes/week

** Special order item only

Average Life:

RX7s- 150W = 6000 hours

ED17- 150W, 175W = 6000 hours

T15- 250W, 400W = 8000 hours

T25- 1000W = 6000 hours

LAMP CONTAINS MERCURY

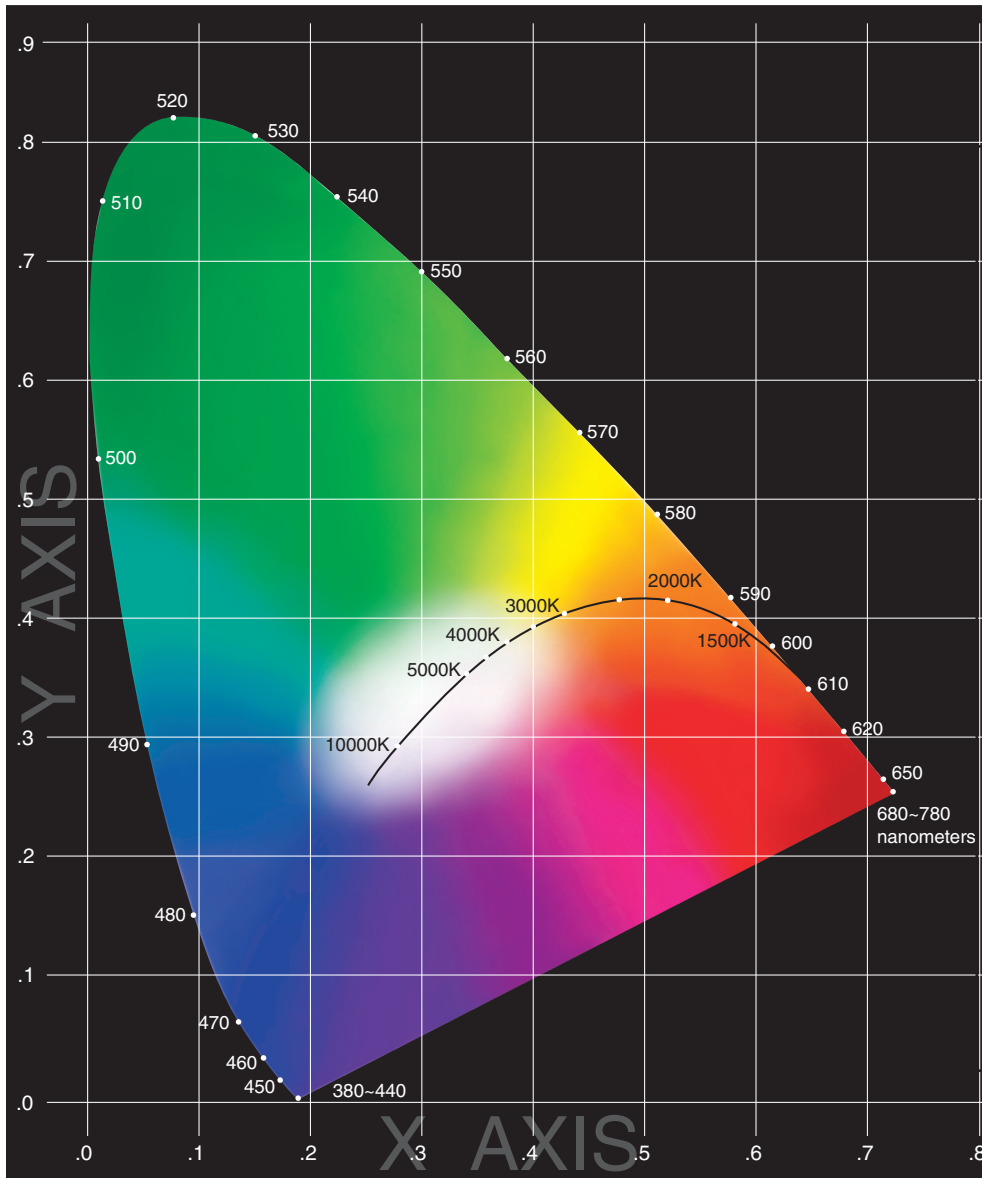
Manage in Accord with Disposal Laws

See: www.lamprecycle.org or 1-800-895-8842

ANSI Fixture Requirement:

/E =Enclosed Fixtures Only

CHROMATICITY DIAGRAM



COLORLITE™ Chromaticity Coordinates

Double Ended			
150W	Blue	x = .22	y = .18
	Green	x = .25	y = .57
	Magenta	x = .37	y = .27
	Orange	x = .50	y = .37
ED17			
150W	Blue	x = .19	y = .14
	Green	x = .25	y = .55
	Magenta	x = .37	y = .24
	Orange	x = .49	y = .36
175W	Blue	x = .19	y = .14
	Green	x = .25	y = .55
	Magenta	x = .37	y = .24
	Orange	x = .49	y = .36
T15			
250W	Blue	x = .20	y = .14
	Green	x = .25	y = .57
	Magenta	x = .32	y = .25
	Orange	x = .48	y = .37
400W	Blue	x = .20	y = .14
	Green	x = .25	y = .59
	Magenta	x = .35	y = .26
T25			
1000W	Blue	x = .22	y = .145
	Green	x = .24	y = .600

Distributed by:

Form No. S-UHI/CL-0909

The specifications on this sheet supercede all previously published specifications and may be subject to change for design and specification improvement without prior notice.

© 2009 USHIO America, Inc. All rights reserved.