

COLORLITE™ SERIES

- Consistent Color
- No Color Filter or Gels Required for Fixture
- 6,000 Hours Useful Life



Please see Safety and Handling Instructions on page 89.

Watts	Ushio Ordering Code	Ushio Lamp Code	Volts	Lamp Current A	Dimensions			Luminous			ANSI Ballast/ Fixture	Burn Position	Case Qty
					Dia (A)	MOL (B)	LCL (C)	Flux lm	Wavelength nm	Saturation %			
Single Ended – E26 Medium Screw Base													
150	5001453	UHI-S150/E26/BLUE	—	1.80	2.13	5.43	3.39	3900	470	70	M102/E	Univ	12
150	5001452	UHI-S150/E26/GREEN	—	1.80	2.13	5.43	3.39	12500	530	46	M102/E	Univ	12
150	5001498	UHI-S150/E26/MAGENTA	—	1.80	2.13	5.43	3.39	7500	-530	43	M102/E	Univ	12
150	5001499	UHI-S150/E26/ORANGE	—	1.80	2.13	5.43	3.39	11200	600	54	M102/E	Univ	12
175	5001455	UHI-S175/E26/BLUE	—	1.50	2.13	5.43	3.39	3900	470	70	M57/E	Univ	12
175	5001454	UHI-S175/E26/GREEN	—	1.50	2.13	5.43	3.39	12500	530	46	M57/E	Univ	12
175	5001500	UHI-S175/E26/MAGENTA	—	1.50	2.13	5.43	3.39	7500	-530	43	M57/E	Univ	12
175	5001501	UHI-S175/E26/ORANGE	—	1.50	2.13	5.43	3.39	11200	600	54	M57/E	Univ	12
Single Ended – E39 Mogul Screw Base													
250	5001484	UHI-S250/E39/BLUE	—	3.00	1.81	8.86	5.91	5400	465	66	M80/E*	Univ	12
250	5001485	UHI-S250/E39/GREEN	—	3.00	1.81	8.86	5.91	21000	530	50	M80/E*	Univ	12
250	5001486	UHI-S250/E39/MAGENTA	—	3.00	1.81	8.86	5.91	11000	-560	29	M80/E*	Univ	12
250	5001487	UHI-S250/E39/ORANGE	—	3.00	1.81	8.86	5.91	17000	595	54	M80/E*	Univ	12
400	5000947	UHI-S400BL, BLUE	—	3.25	1.81	10.83	6.89	8000	465	66	M59/E	Univ	12
400	5000946	UHI-S400GR, GREEN	—	3.25	1.81	10.83	6.89	35000	535	63	M59/E	Univ	12
400	5000948	UHI-S400MG, MAGENTA	—	3.25	1.81	10.83	6.89	21000	500	25	M59/E	Univ	12
1000	5001189	UHI-S1000BL, BLUE	—	4.10	2.99	13.39	8.66	22000	455	61	M47/E	H#60°	6
1000	5001188	UHI-S1000GR, GREEN	—	4.10	2.99	13.39	8.66	92000	535	60	M47/E	H#60°	6
Double Ended – RX7s Base C-to-C													
150	5000821	UHI-150BL, BLUE	95	1.80	0.91	5.20	2.60	3000	465	55	M81/E	H#45°	10
150	5000822	UHI-150GR, GREEN	95	1.80	0.91	5.20	2.60	9500	535	51	M81/E	H#45°	10
150	5000824	UHI-150OR, ORANGE	95	1.80	0.91	5.20	2.60	10000	595	63	M81/E	H#45°	10

Recommended Ignition Voltage: 4kV

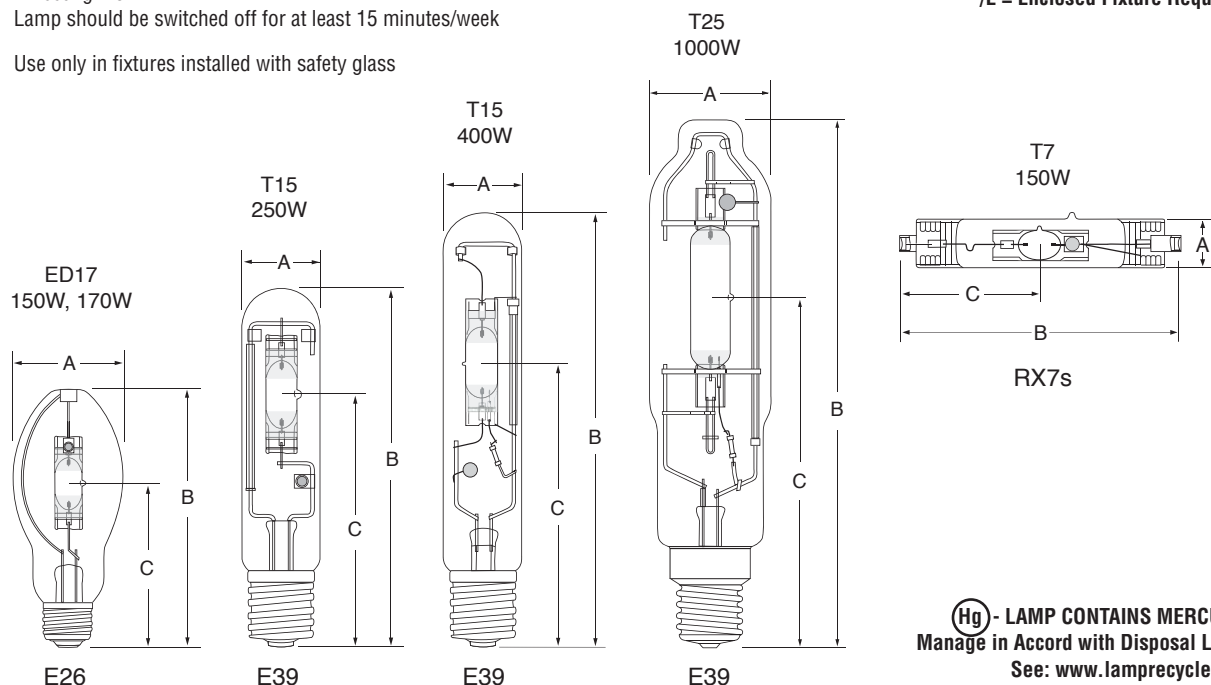
* Need ignitor with 4kV

Lamp should be switched off for at least 15 minutes/week

Use only in fixtures installed with safety glass

All dimensions shown in inches unless otherwise noted.

/E = Enclosed Fixture Required



Hg - LAMP CONTAINS MERCURY
 Manage in Accord with Disposal Laws
 See: www.lamprecycle.org