



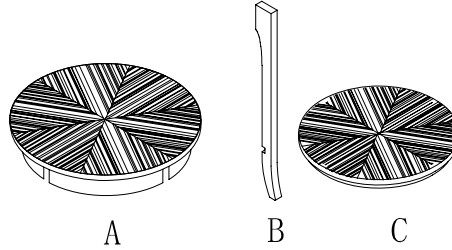
UTTERMOST

Assembly Instruction

ITEM#24228

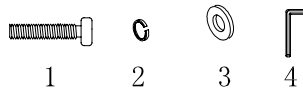
Component List:

- A. Table Top.....1pc
- B. Leg.....4pcs
- C. Bottom panel.....1pc

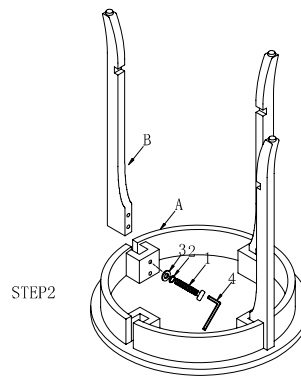


Hardware List:

- 1. Bolt.....12pcs
- 2. Spring Washer.....12pcs
- 3. Flat Washer.....12pcs
- 4. Allen Wrench.....1pc

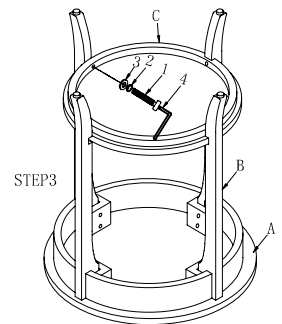


Step1. Put the Table top on a soft, clean place.

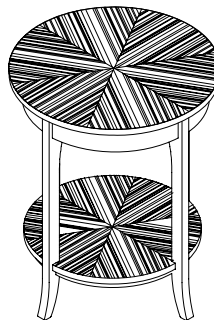


Step2. Assemble the leg to the table top as shown, don't tighten yet.

Step3. Assemble the bottom panel to the leg as shown.



Step4. Tighten all the bolts. Turn the table upright.



Assembly is complete now.
Thank you for your purchase.