



UTTERMOST

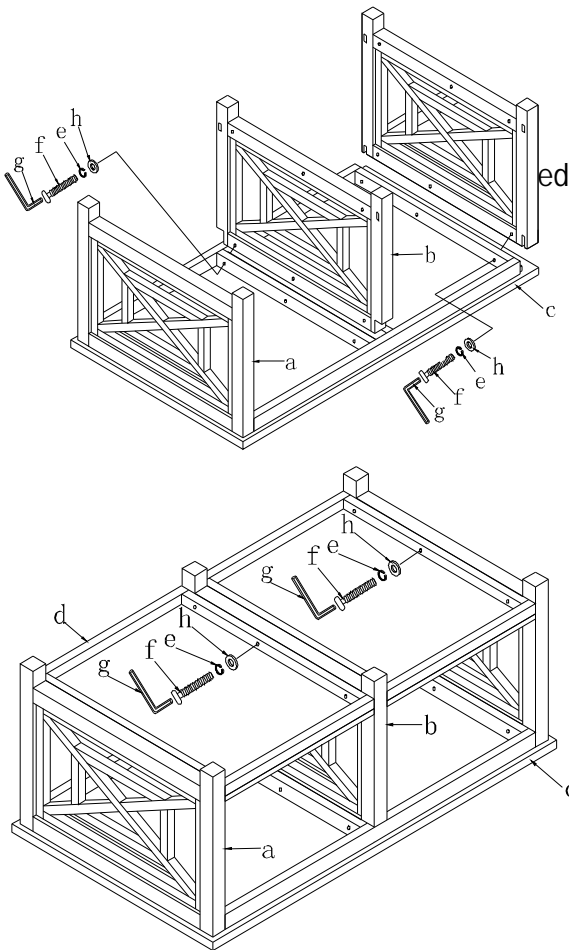
Assembly Instruction

ITEM NO.:24264

Parts list

a	side panel	2pcs
b	middle panel	1pc
c	table top	1pc
d	shelf	2pcs

e	washer	24pcs
f	bol t	24pcs
g	wrench	1pc
h	lock washer	24pcs



1. Take the parts carefully out of carton, and then place them on a flat and soft surface, making sure that parts will not be damaged.

2. Assemble side panels(a) and middle panel (b) to table top(c) as shown. Don't tighten yet.

3. attach shelves(d) to side panels(a) and middle panel (b) as shown by using Bol ts(f), washers(e) and lock washers(h).

4. Tighten all Bol ts(f) by Allen Wrench(g). And turn the table upright.

To Clean, wipe with soft dry cloth.

PO BOX 558/3325 GRASSY HILL RD. ROCKY MOUNT, VIRGINIA 24151

www.uttermost.com