



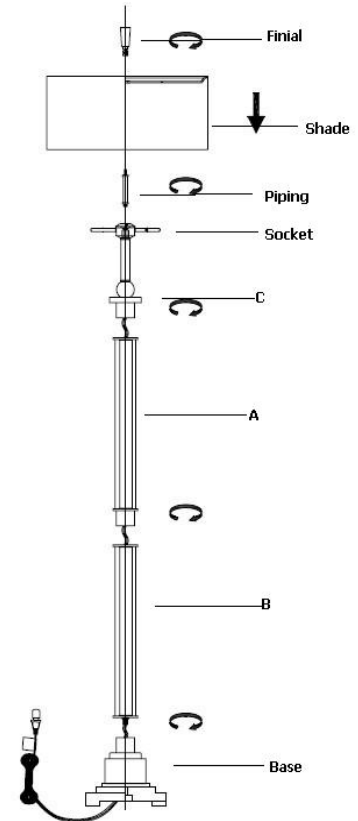
UTTERMOST

# ASSEMBLY INSTRUCTIONS

STYLE# 28578-1

**Careful unpack all lamp parts from the carton.**

1. Place the base in an upright position on the floor.
2. Thread B onto the Base and turn clockwise to tighten secured.
3. Thread A onto B and turn clockwise to tighten secured.
4. Thread C onto A and turn clockwise to tighten secured.
5. Place the Piping onto the Socket and place the shade on the Piping, and then thread the Finial onto the Piping.
6. Use 2pcs 60W max ON-OFF Type A bulb (not included)



28578-1

## IMPORTANT SAFETY INSTRUCTIONS

This portable lamp has a polarized plug ( one blade is wider than the other ) as a safety feature to reduce the risk of electric shock.

This plug will fit in a polarized outlet only one way. If the plug does not fit fully in the outlet, reverse the plug. If it still does not fit, contact a qualified electrician.

Never use with an extension cord unless plug can be fully inserted. Do not attempt to defeat this safety feature.

PO BOX 558/3325 GRASSY HILL RD. ROCKY MOUNT, VIRGINIA 24151  
[www.uttermost.com](http://www.uttermost.com)