

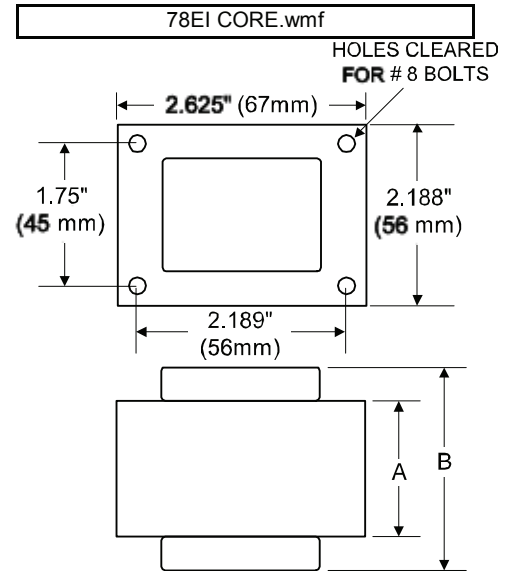
100W S54

High Pressure Sodium

V90B1322-NPF

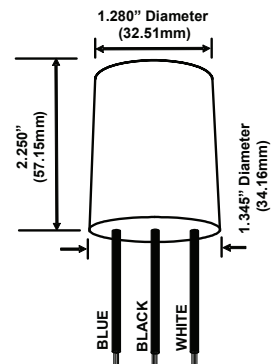
60 Hz Reactor-NPF

Input Volts	120
Line Current (Amps)	
Operating	2.15
Open Circuit	
Starting	1.80
Recommended Fuse (Amps)	6
Regulation	
Line Volts	±5%
Lamp Watts	±8%
Temperature Ratings	
Insulation Class	180 (H)
Coil Temperature Code	E
Benchtop Coil Rise	
Power Factor (Min)	40%
Input Watts	118 W
Efficiency	
NOM. Open Circuit Voltage	120
Input Voltage At Lamp Dropout	
Min Ambient Starting Temp	-40°F/-40°C
60 HZ TEST PROCEDURES	
High Potential Test (Volts)	
1 Minute	2,000 V
1 Second	2,500 V
Open Circuit Voltage Test (V)	110 - 135
Short Circuit Current Test (A)	
Secondary Current	Min .00 Max .00
Input Current	Min Max
CORE and COIL Specifications	
Dimension (A)	1.48 in
Dimension (B)	2.75 in
Weight	3.0 lb's
Lead Lengths	12"
Capacitor Requirement	
Microfarads	
Volts (Min)	



Capacitor:	NONE	Ignitor:	BVS-004-A
Volts (Max):	V	Case Temp (Max):	105 °C
		BTL Distance (Max):	12 ft

This Ballast
Does Not
Require
A Capacitor



Ordering Information Add Suffix for options

- C - With Capacitor
- K - Prewired, with Capacitor and Bracket Kit
- B - With Welded Bracket, no cap
- CB - With Capacitor and Welded Bracket

RoHS compliant on all manufactured products after August 1, 2007

Data is based upon tests performed by Venture Lighting in a controlled environment and is representative of relative performance. Actual performance can vary depending on operating conditions. Specifications are subject to change without notice.

12/2/2008 Production



RoHS

