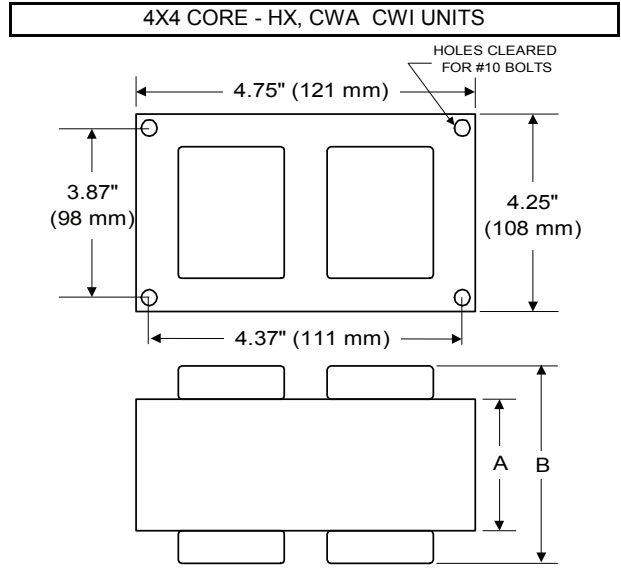


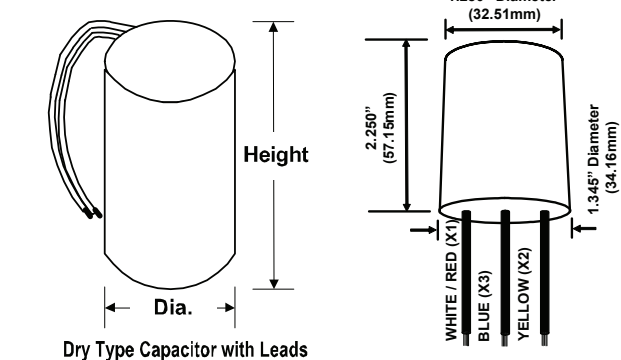
BALLAST SPECIFICATION

450W M144
Pulse Start Metal Halide
V90D8530
60 Hz HX-HPF

Input Volts	120	208	240	277
Line Current (Amps)				
Operating	4.50	2.30	2.25	2.00
Open Circuit	7.00	3.60	3.50	3.00
Starting	6.80	3.10	3.40	2.90
Recommended Fuse (Amps)	12	6	6	5
Regulation				
Line Volts	±5%	±5%	±5%	±5%
Lamp Watts	±10%	±10%	±10%	±10%
Temperature Ratings				
Insulation Class	180 (H)	180 (H)	180 (H)	180 (H)
Coil Temperature Code	B	A	D	D
Benchtop Coil Rise	79.9	72.1	87.8	89.2
Power Factor (Min)	90%	90%	90%	90%
Input Watts	507 W	507 W	507 W	507 W
Efficiency	89%	89%	89%	89%
NOM. Open Circuit Voltage	295	295	295	295
Input Voltage At Lamp Dropout	90	150	160	190
Min Ambient Starting Temp	-20°F/-30°C*	-20°F/-30°C*	-20°F/-30°C*	-20°F/-30°C*
60 HZ TEST PROCEDURES				
High Potential Test (Volts)				
1 Minute	2,000 V	2,000 V	2,000 V	2,000 V
1 Second	2,500 V	2,500 V	2,500 V	2,500 V
Open Circuit Voltage Test (V)	265 - 325	265 - 325	265 - 325	265 - 325
Short Circuit Current Test (A)				
Secondary Current	Min 4.65 Max 5.70	Min 4.65 Max 5.70	Min 4.65 Max 5.70	Min 4.65 Max 5.70
Input Current	Min 5.95 Max 7.30	Min 2.65 Max 3.30	Min 3.00 Max 3.65	Min 2.60 Max 3.20
CORE and COIL Specifications				
Dimension (A)	2.40 in	2.40 in	2.40 in	2.40 in
Dimension (B)	4.50 in	4.50 in	4.50 in	4.50 in
Weight	14.0 lb's	14.0 lb's	14.0 lb's	14.0 lb's
Lead Lengths	12"	12"	12"	12"
Capacitor Requirement				
Microfarads	30.0 uf	30.0 uf	30.0 uf	30.0 uf
Volts (Min)	280 V	280 V	280 V	280 V



Capacitor:	ACG263	Ignitor:	BVS-045
Microfarads:	30.0 uf	Case Temp (Max):	105 °C
Volts (Max):	280 V	BTL Distance (Max):	2 ft
Case Temp (Max):	100 °C		
Height (Max):	3.68 in		
Dia (Max):	1.61 in		



Ordering Information Add Suffix for options

C - With Capacitor
 K - Prewired, with Capacitor and Bracket Kit
 B - With Welded Bracket, no cap
 CB - With Capacitor and Welded Bracket

* -40°F/-40°C Min Ambient Starting Temp with Venture Lamp
 Coil material: primary Cu and secondary Cu

RoHS compliant on all manufactured products after August 1, 2007

Data is based upon tests performed by Venture Lighting in a controlled environment and is representative of relative performance. Actual performance can vary depending on operating conditions. Specifications are subject to change without notice.

Complies with the Energy Independence and Security Act of 2007 and California Title 20 Appliance Efficiency Regulations