

# GLIMPSE™



4" and 6" Surface Mount  
LED Lighting Fixture



LightingScience®  
Welcome to the Light Ages™



## LED Downlighting Has Never Been So Easy

Designed to convert most 4", 5" or 6" recessed cans to a high performance LED luminaire almost as simply as installing a new bulb, Glimpse™ provides beautiful light output that uses up to 80% less energy and lasts up to 25 times longer than the incandescent sources they replace.

Retrofit  
InstallationJ-Box  
Installation<sup>1</sup>

## Glimpse™ — the New Look of LED Lighting

Lighting Science's integration of leading edge optical, thermal and driver design excellence are all on display with Glimpse – A luminaire of which there truly is no equal.

Using just a fraction of the material of other LED downlight modules, Glimpse skimps on nothing when it comes to performance. Designed to mirror the form of a recessed downlight in application the Glimpse 6" can be retrofit into 5" or 6" recessed downlights. The Glimpse 4" fits into 4" recessed downlights by simply replacing the existing Edison base lamp and trim. Unlike any of its competitors, both can be surface mounted to a 4" J-Box<sup>1</sup> as a luminaire.

<sup>1</sup>Both 6" and 4" fit 4x4 square Jbox. Min depth requirements for 6" are 2.25" – while 4" is 1.5".

# Glimpse Features and Benefits

The innovative, low profile form of Glimpse blends seamlessly into its environment to mimic the form of traditional recessed downlights without the associated high energy or maintenance costs.

## Small Fixture. Huge Savings.

With breakthrough performance comes breakthrough saving opportunities. Glimpse proves big things really do come in small packages.



BR30 Incandescent	6" LED Disk
65 Watts	15Watt
2,000 hr life	50,000 hr design life
Replace in 22 months	Replace in 17 yrs

**Annual Savings: \$24**

**Lifetime Savings<sup>1</sup>: \$588**



PAR20 Incandescent	4" LED Disk
50 Watts	9.5 Watt
2,000 hr life	50,000 hr design life
Replace in 22 months	Replace in 17 yrs

**Annual Savings: \$18**

**Lifetime Savings<sup>1</sup>: \$303**

## Glimpse at a Glance

- 450 lumen 4" and 750 lumen 6" Glimpse WW package provides light comparable to equivalent incandescent replacement
- Can be retrofit into most 4", 5" or 6" recessed downlights or surface mounted for new construction applications
- Designed for a 50,000 hour life
- Dimmable to 5% on most dimmers<sup>2</sup>
- Available in 2700, 3000 or 4000K
- Environmentally friendly- contains no mercury or other hazardous materials
- IC rated when used in an approved IC rated recessed can



**ENERGY STAR**  
Qualified

The high performance of a Glimpse is validated in its Energy Star Qualification across all models. Most Utility Rebate Programs only allow Energy Star qualified products to participate in their programs. Lighting Science Group's leadership in LED system design has quickly allowed us to develop one of the largest collection of LED Energy Star qualified products available today.

<sup>1</sup> Based on 8 hours a day of usage at an average \$.11 KWH cost  
<sup>2</sup> Visit [www.lsgc.com/dimmer](http://www.lsgc.com/dimmer) for dimmer compatibility

6" Glimpse

4" Glimpse



## TITLE 24 Approved

Conventional J-Box installation of Glimpse is designed to meet the standards of California's Title 24. Regardless of your location, this means that the Glimpse provides an adequate, reasonably-priced, eco-friendly method of lighting while still meeting code.



## In the Box

Whether as a retrofit module or surface mount luminaire, everything you need is included for quick installation

6" Glimpse

- Fixture
- Edison base adaptor
- Accessory kit
  - (2) 8-32 1 1/2" j-box screws
  - (2) 8-32 3/4" j-box screws
  - (2) 6-32 3/4" sheet metal (pointed) screws
  - (1) #8 nut
  - (1) #8 sheet metal screw
  - (3) wire nuts
  - (1) instruction sheet
  - (1) J-box adaptor

4" Glimpse

- Fixture
- Edison base adaptor
- Accessory kit
  - (2) 8-32 1 1/2" j-box screws
  - (2) 8-32 3/4" j-box screws
  - (1) #8 nut
  - (1) #8 sheet metal screw
  - (3) wire nuts
  - (1) instruction sheet
  - (1) J-box adaptor
  - (4) Snap in mounting springs

<sup>1</sup> Both 6" and 4" fit 4x4 square Jbox. Min depth requirements for 6" are 2.25" – while 4" is 1.5".

<sup>2</sup> Visit [www.lsgc.com/dimmer](http://www.lsgc.com/dimmer) for dimmer compatibility

# GLIMPSE 6"

## Product Ordering Information

Example: GLP6 W27 WH 120

Product	Temperature	Finish	Voltage
GLP6 Glimpse	W27 White 2700K	WH White	120 120 Volt
	WW White 3000K		
	NW White 4000K		

## Specifications

	W27	WW	NW
Color Temperature	2700K	3000K	4000K
Lumen Output	700	750	775
Efficacy	47	50	52
Input Wattage	15 Watts		
Designed Life	L70 @ 50,000 hrs		
CRI	80		
Finish	White		
Voltage	120V		
Dimmable	To 5% on most dimmers <sup>1</sup>		
Weight	1.29 lbs		
Operating Temperature	-20c to +40c (25c nominal)		
Warranty	5 year		

### Certifications



### Environment



## Dimmer Compatibility

Lutron DV-600PR-WH, DV-603PG, S-600, S-600P, TG-603PG

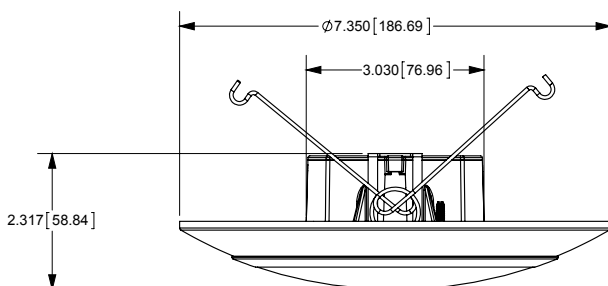
Legrand DrRD4W

## Recommended number of fixtures per 600 watt dimmer<sup>2</sup>

While an LED fixture may draw as few as 15 watts continuously, it could have an in-rush current spike (maximum, instantaneous input) which may limit the number of fixtures you can install on one dimmer. The following table provides a recommended maximum quantity of Glimpse that should be used on a typical approved 600W dimmer.

GLIMPSE	Lamp In-Rush Current Equivalent	Max # of Lamps per 600W Dimmer
6"	115 W	5

## Dimensions



<sup>1</sup> Visit [www.lsgc.com/dimmer](http://www.lsgc.com/dimmer) for dimmer compatibility

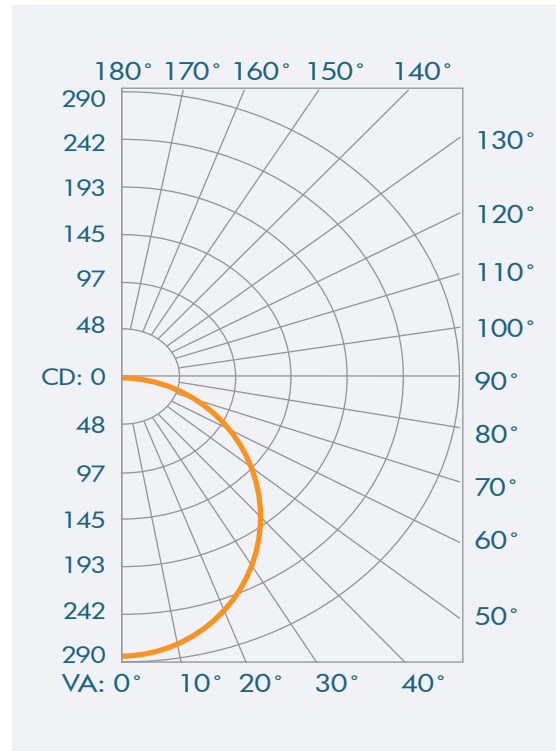
<sup>2</sup> Dimmer compatibility list indicates those dimmers that have been tested and operate properly under normal conditions. In certain cases, approved dimmers are offered in higher wattage varieties that are also compliant and allow the installation of additional lamps if kept within the maximum inrush current equivalent provided in the table. Each application is unique and various factors such as load, common neutrals or other electrical products on the circuit can, in certain instances, cause variance in system performance. Consult dimming system manufacturer for additional support in operation.

## Recessed Can Compatibility

Halo	H7ICAT, H7RICAT, H7ICT, H7RICT, H7ICATNB, H7ICTNB, H7T, H7RT, H7TNB, H7TCP, H7UICAT, H7UICAT, H27ICAT, H27RICAT, H27ICT, H27RICT, H27T, H27RT, H5ICAT, H5RICAT, H5T, H5RT, H25ICAT
All-Pro	EI500AT, EI500RAT, ET500, ET500R, EI700AT, EI700RAT, EI700ATNB, EI700, EI700R, EI700NB, ET700, ET700R, EI700U, EI700UAT, EI2700AT, EI2700, EI2700R, ET2700, ET2700R
Capri	CRI, PRI, QLI, R9ASIC
Commercial Electric	H3, H17, H18
Elco	EL71CA
Juno	ICC22/R/W/S, IC23/W, IC21/R, TC2/R, IC20, IC25/W/S, TC20
Lithonia	L7X, L7XP
Prescolite	IBXS
Progress	P87
SeaGull	11018, 11028, 11118, 11128, 1128
Thomas	PS1, PS9RM

## Polar Candela Distribution

### GLP6 WW WH



## Recessed Can Disconnect Compatibility

Halo	H750ICAT, H750RICAT, H750T, H750TCP
------	-------------------------------------

## J-Box Compatibility

Works with most metal and PVC square 4"x 4" J-Boxes with min. 2.25" depth

## Coefficients Of Utilization

### GLP6 WW WH

Effective Floor Cavity Reflectance: 20%																		
RCC %:	80				70				50			30			10		0	
RW %:	70	50	30	0	70	50	30	0	50	30	20	50	30	20	50	30	20	0
RCR: 0	1.19	1.19	1.19	1.19	1.16	1.16	1.16	1.00	1.11	1.11	1.11	1.06	1.06	1.06	1.02	1.02	1.02	1.00
1	1.08	1.03	0.99	0.95	1.06	1.01	0.97	0.84	0.97	0.94	0.90	0.93	0.90	0.88	0.89	0.87	0.85	0.83
2	0.98	0.90	0.83	0.77	0.96	0.88	0.82	0.70	0.85	0.79	0.75	0.81	0.77	0.73	0.78	0.75	0.71	0.69
3	0.90	0.79	0.71	0.64	0.87	0.78	0.70	0.60	0.75	0.68	0.63	0.72	0.66	0.61	0.69	0.64	0.60	0.58
4	0.82	0.70	0.61	0.55	0.80	0.69	0.61	0.52	0.66	0.59	0.53	0.64	0.58	0.53	0.62	0.56	0.52	0.50
5	0.76	0.63	0.54	0.47	0.74	0.62	0.53	0.45	0.59	0.52	0.46	0.57	0.51	0.46	0.56	0.50	0.45	0.43
6	0.70	0.57	0.48	0.41	0.68	0.56	0.47	0.40	0.54	0.46	0.41	0.52	0.45	0.40	0.50	0.45	0.40	0.38
7	0.65	0.51	0.43	0.36	0.63	0.51	0.42	0.35	0.49	0.41	0.36	0.48	0.41	0.36	0.46	0.40	0.35	0.33
8	0.60	0.47	0.38	0.32	0.59	0.46	0.38	0.32	0.45	0.37	0.32	0.44	0.37	0.32	0.42	0.36	0.32	0.30
9	0.57	0.43	0.35	0.29	0.55	0.42	0.35	0.29	0.41	0.34	0.29	0.40	0.34	0.29	0.39	0.33	0.29	0.27
10	0.53	0.40	0.32	0.27	0.52	0.39	0.32	0.26	0.38	0.31	0.26	0.37	0.31	0.26	0.36	0.30	0.26	0.24

## Zonal Lumen

### Summary

#### GLP6 WW WH

Zone	Lumens	% Total
0-10	26.6	3.5%
10-20	75.5	9.9%
20-30	111.2	14.8%
30-40	131.9	17.4%
40-50	133.1	17.5%
50-60	117.5	15.5%
60-70	88.6	11.7%
70-80	52.7	6.9%
80-90	21.2	2.8%
<b>Total</b>	<b>759.3</b>	<b>100%</b>

# GLIMPSE 4"



## Product Ordering Information

Example: GLP4 W27 WH 120

Product	Temperature	Finish	Voltage
GLP4 Glimpse™	W27 White 2700K	WH White	120 120 Volt
	WW White 3000K		
	NW White 4000K		

## Specifications

	W27	WW	NW
Color Temperature	2700K	3000K	4000K
Lumen Output	425	450	475
Efficacy	45	47	50
Input Wattage	9.5 Watts		
Designed Life	L70 @ 50,000 hrs		
CRI	80		
Finish	White		
Voltage	120V		
Dimmable	To 5% on most dimmers <sup>2</sup>		
Weight	.9 lbs		
Operating Temperature	-20c to +40c (25c nominal)		
Warranty	5 year		

### Certifications



### Environment



## Dimmer Compatibility

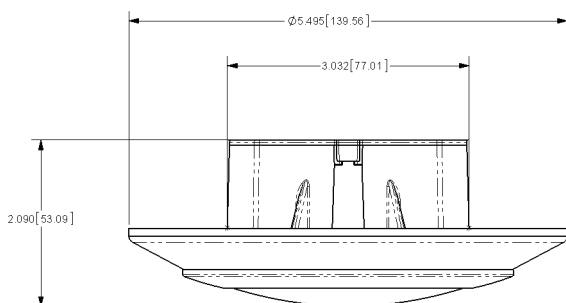
Ace	34050, 3027596
Leviton	6633-PL, 6684, 6631, IPI06-ILX
Lutron	RRD-10ND, SZ-6ND, HW-RPM-4A-120, HxD-6ND, QSG-6P, LP-RPM-4A-120, PHPM-WBX, S-600PR-WH, DV-600PR-WH, TG-600PR-WH, AY600P, Q600P, GL600, CN-600PHW, DV-603PG, S-600, S-600P, LG-600P, D-600PH, TT-300NLH, TG-603PG, DV-600PR-WH
Legrand	DrRD4W

## Recommended number of fixtures per 600 watt dimmer<sup>2</sup>

While an LED fixture may draw as few as 9.5 watts continuously, it could have an in-rush current spike (maximum, instantaneous input) which may limit the number of fixtures you can install on one dimmer. The following table provides a recommended maximum quantity of Glimpse that should be used on a typical approved 600W dimmer.

GLIMPSE	Lamp In-Rush Current Equivalent	Max # of Lamps per 600W Dimmer
4"	80 W	7

## Dimensions



<sup>1</sup> Visit [www.lsgc.com/dimmer](http://www.lsgc.com/dimmer) for dimmer compatibility

<sup>2</sup> Dimmer compatibility list indicates those dimmers that have been tested and operate properly under normal conditions. In certain cases, approved dimmers are offered in higher wattage varieties that are also compliant and allow the installation of additional lamps if kept within the maximum inrush current equivalent provided in the table. Each application is unique and various factors such as load, common neutrals or other electrical products on the circuit can, in certain instances, cause variance in system performance. Consult dimming system manufacturer for additional support in operation.



## Recessed Can Compatibility

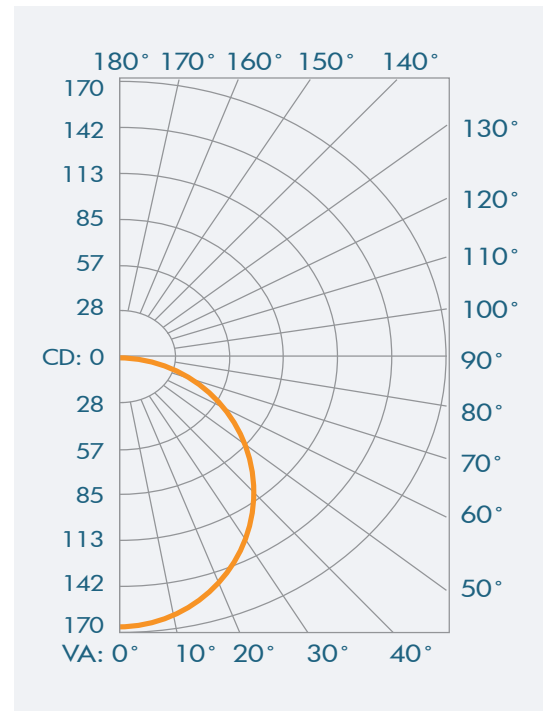
Halo	H99RTAT, H99RT
All-Pro	ET400R, EI400 ATSB, ET 400 ATSB, ET400R ATSB
Commercial Electric	HBR2000R, HBR2000BA
Juno	TCIR, TCI, ICI
Lithonia Lighting	L3, L3R

## J-Box Compatibility

Works with most metal and PVC 4" x 4" square J-Boxes with min. 1.5" depth

## Polar Candela Distribution

GLP4 WW WH



## Coefficients Of Utilization

GLP4 WW WH

Effective Floor Cavity Reflectance: 20%

RCC %:	80				70				50				30				10				0			
RW %:	70	50	30	0	70	50	30	0	50	30	20	0	50	30	20	0	50	30	20	0	50	30	20	0
RCR: 0	1.19	1.19	1.19	1.19	1.16	1.16	1.16	1.00	1.11	1.11	1.11	1.06	1.06	1.06	1.06	1.02	1.02	1.02	1.02	1.00	1.00	1.00	1.00	1.00
1	1.08	1.03	0.98	0.94	1.05	1.00	0.96	0.83	0.96	0.93	0.89	0.92	0.89	0.87	0.87	0.89	0.86	0.84	0.84	0.82	0.82	0.82	0.82	0.82
2	0.98	0.89	0.82	0.76	0.95	0.87	0.81	0.69	0.84	0.78	0.73	0.80	0.76	0.72	0.72	0.77	0.73	0.70	0.70	0.68	0.68	0.68	0.68	0.68
3	0.89	0.78	0.70	0.63	0.86	0.76	0.69	0.58	0.73	0.67	0.61	0.71	0.65	0.60	0.60	0.68	0.63	0.59	0.59	0.57	0.57	0.57	0.57	0.57
4	0.81	0.69	0.60	0.53	0.79	0.68	0.59	0.50	0.65	0.58	0.52	0.63	0.56	0.51	0.51	0.61	0.55	0.51	0.51	0.48	0.48	0.48	0.48	0.48
5	0.75	0.62	0.52	0.46	0.73	0.61	0.52	0.44	0.58	0.51	0.45	0.56	0.50	0.44	0.44	0.54	0.49	0.44	0.44	0.42	0.42	0.42	0.42	0.42
6	0.69	0.55	0.46	0.40	0.67	0.55	0.46	0.38	0.53	0.45	0.39	0.51	0.44	0.39	0.39	0.49	0.43	0.39	0.39	0.36	0.36	0.36	0.36	0.36
7	0.64	0.50	0.41	0.35	0.62	0.49	0.41	0.34	0.48	0.40	0.35	0.46	0.40	0.34	0.34	0.45	0.39	0.35	0.35	0.32	0.32	0.32	0.32	0.32
8	0.60	0.46	0.37	0.31	0.58	0.45	0.37	0.31	0.44	0.36	0.31	0.43	0.36	0.36	0.36	0.41	0.35	0.31	0.31	0.29	0.29	0.29	0.29	0.29
9	0.56	0.42	0.34	0.28	0.54	0.42	0.34	0.28	0.40	0.33	0.28	0.39	0.33	0.28	0.28	0.38	0.32	0.28	0.28	0.26	0.26	0.26	0.26	0.26
10	0.52	0.39	0.31	0.26	0.51	0.38	0.31	0.25	0.37	0.30	0.25	0.36	0.30	0.25	0.25	0.35	0.29	0.25	0.25	0.23	0.23	0.23	0.23	0.23

## Zonal Lumen

Summary

GLP4 WW WH

Zone	Lumens	% Total
0-10	15.8	3.2%
10-20	45	9.30%
20-30	67.6	13.9%
30-40	81	16.7%
40-50	8.38	17.3%
50-60	76.3	15.7%
60-70	60.1	12.4%
70-80	38.5	7.9%
80-90	17.3	3.6%
<b>Total</b>	<b>485.3</b>	<b>100%</b>



Corporate Office  
1227 S. Patrick Drive  
Satellite Beach, Florida 32937

t: 1.321.779.5520  
t: 1.877.999.5742  
f: 1.321.779.5521

[www.lsgc.com](http://www.lsgc.com)



North America

Asia

Australia

Europe