

Product Datasheet

[Catalog Home](#)[Home Page](#)[Search](#)

CS8164

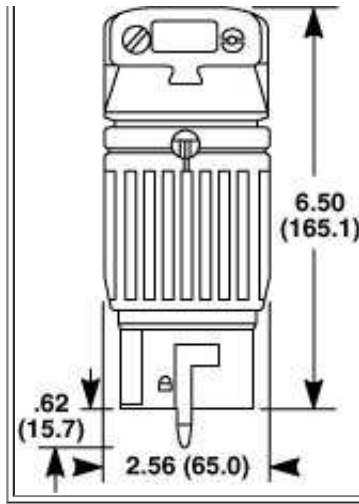


Locking Female Connector Body.

Product Specifications

Product Style	Standard Locking.
Amperage	50A
Device Type	Connector.
Poles and Wires	3 Pole, 4 Wire.
50A Rating	3ph 480V AC
Body Style	Straight.
Product Variation	Standard.
Terminal Screws	#10-32 Brass.
Face/Terminal Assembly	Impact Modified Nylon.
Cover (Housing)	Super Tough Nylon.
Cord Grip Assembly	Impact Modified Nylon.
Connector Contacts	High Performance Copper Alloy.
Terminal Clamp Nut	Zinc-Plated Steel.
Assembly Screws	Zinc-Plated Steel.

Dielectric Voltage	Withstands 3500V per UL498.
Max Working Voltage	600V AC or 250V DC.
Current Interrupting	Certified for current interrupting at full rated current.
Temperature Rise	Maximum 30 deg C temperature rise at full rated current after 50 cycles of overload at 150% rated current for either AC or DC applications per UL498
Terminal Identification	(X, Y Z Brass Hot) (G, Green, Grounding) (W, Silver, Neutral).
Terminal Accommodation	#18-#8 AWG Flexible Cord.
Product Identification	Ratings and NEMA identification are permanently marked on device.
Cord Accommodation	Round portable service cords in accordance with device ratings as defined in UL Standard 62, CSA C22.2 No. 49.
Cord Grip Range	3 Wire: .300"-.950" (7.62-24.13), 4 and 5 Wire: .465"-1.115" (11.81-29.21).
Flammability	HB or better per UL94 or CSA 22.2.
Operating Temperatures	Maximum continuous 60 deg C, minimum -40 deg C without impact.
UL Standard	UL Listed to Standard 498 (Attachment Plug and Receptacles).
CSA Standard	Certified to CSA Standard C22.2 No.42M1984 (General Use Receptacles) and C22.2 No. 182.2M1987 (Industrial Locking Type, Special Use Attachment Plugs, Receptacles and Connectors) where applicable.
UL Listing File	UL Listed File #E1381- Guide #AXUT
CSA Certification File	CSA Certified File #LR16215- Guide #20T2
Fed Spec	Federal Specifications WC596 (where applicable).
Complies with:	Complies with NEMA Standards WD-1, WD-6 and UL 498.
Overseas Apporvals	NOM, CE.
Catalog Page	Click here for catalog page



BRYANT®