

## Data Sheet

# Dynasty® B10 LED Candelabra Lamp



### Product Description:

The new Dynasty® B10 Candelabra LED lamp is designed specifically as an energy-saving alternative for traditional candelabra bulbs. This lamp operates on a 120 volt system, and can be inserted into any E12 candelabra base. It is designed with CAO Group's patented Dynasty® high flux LED, which is energy efficient, water resistant, vibration resistant, and features a multi-directional beam pattern making it ideal for general lighting applications. There are no hazardous waste materials and is RoHS compliant.

### About the Dynasty® Integrated Power LED

Dynasty® Integrated Power LED is a revolutionary high flux LED that applies a completely new concept of packaging. It features a Butterfly-Beam™ pattern with a 360° horizontal, and 275° vertical viewing angle. Dynasty® Integrated Power LED is environmentally sealed, and is highly resistant to moisture, vibration and UV radiation.

### About CAO Group, Inc.

CAO Group, Inc. is an ISO 9000 and an EN 13485 certified company headquartered in the United States, with a TS 16949 certified manufacturing facility located in China. CAO Group, Inc. was founded in 2000 by Dr. Densen Cao and is committed to manufacturing high quality innovative products to our customers.

### Applications:

- Chandeliers
- Wall Sconce
- Carriage Light
- Vanity Light

### Features:

- Warm White 2700K
- Vibration Resistant
- 35,000+ Hours
- Unique Butterfly-Beam™ (360° Horizontal, 275° Vertical)
- Exact B10 Footprint/Shape

### Benefits:

- RoHS Compliant
- Long Life
- Environmentally Friendly
- Energy Efficient
- Non-Hazardous Waste, RoHS Compliant
- Reduces Carbon Emissions Resulting from Electrical Production

### Package features, ambient temperature $T_A=25^{\circ}\text{C}$

Input voltage	120VAC
Output voltage	3.5VDC
Typical output current (mA)	320
Typical Power consumption (watt)	1.7
Typical lumen output (lumen)	60
Beam view angle	360° Horizontal, 275° Vertical
Typical correlation color temperature(K)	2700
Typical Color rendering index	65
RoHS compliant	Yes
Base	E12 (Candelabra Base)
Driver efficiency (%)	60
Bulb	B10 Bent Tip
Finish	Clear and Frosted

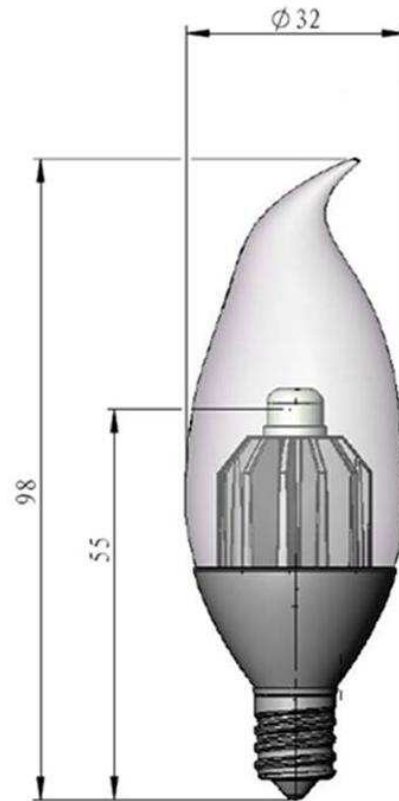
### Component Materials

Components	Materials
Glass House	Clear/Frosted glass
LED Heat Sink	Nickel plated aluminum ADC12
Collar	White UL certificated PC
Dynasty® LED	Copper Alloy, InGaN for the chip, Phosphor and Gold Wire
E12 Base	Nickel plated brass

### Absolute Maximum Ratings

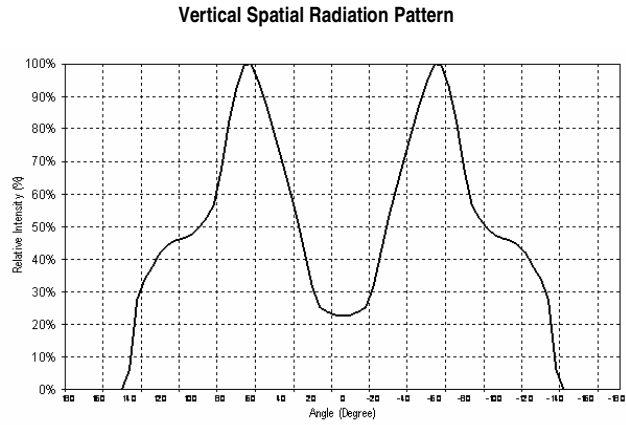
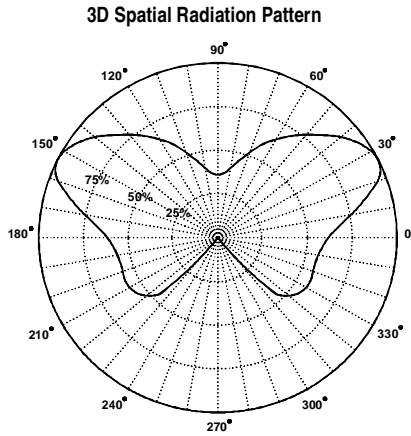
Item	Rating
Input Voltage	TBD
Ingress Protection	IP66
Operating Temperature	-20°C to +40°C
Storage Temperature	-20°C to +55°C
Power Consumption	2.5 Watt
Output Current	400 mA

### Outline Dimensions



Note: Dimensions are without tolerances, for reference only.

## Butterfly-Beam™ Profile



## Safety

- The glass of the Dynasty® Candelabra light bulb (referred as “the LAMP” thereafter) might be broken due to improper treatment.
- Turn off power when installing or replacing the LAMP to avoid electrical shock.

## Handling, Maintenance and Storage

- Store the LAMP in a dry place and store at room temperature.
- Avoid direct contact with corrosive gas and liquid.
- Clean the LAMP with a dry cloth. Do not immerse the LAMP into any liquid.

## Warranty

CAO Group, Inc. warrants its product for one year from the date of purchasing. Please contact the distributor where the products were purchased for any returns. CAO Group, Inc. is not responsible for quality issues caused by improper maintenance and handling of our products.