

ISB SOLA BASIC®



REV: "A"

FLUORESCENT BALLAST SPECIFICATIONS

DESCRIPTION

CATALOG E-758-T-332	TYPE Electronic	STARTING METHOD Instant Start	NUMBER OF LAMPS 3	LAMP TYPE F17T8, F25T8, F32T8, F32T8/U
-------------------------------	---------------------------	----------------------------------	----------------------	---

ELECTRICAL CHARACTERISTICS

INPUT VOLTAGE 277v	LAMP WATTS 17/25/32/31w	INPUT WATTS 83.5w	INPUT CURRENT 0.31A	OCV 610v	PF >0.97	FREQUENCY 60 Hz	SOUND RATED A
MIN START TEMP 32°F/0°C	CLASS P	TYPE 1 outdoor	BALLAST FACTOR 0.88	BEF 1.053	THD (1) <22%	NO PCB'S	

(1) THD <30 FOR 3-F17T8

PHYSICAL CHARACTERISTICS

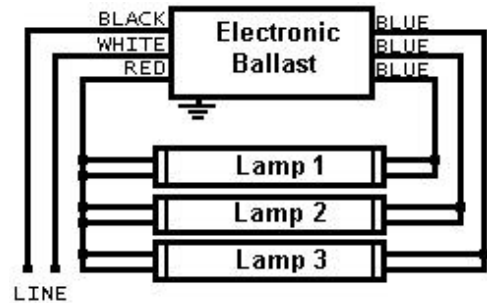
	CASE DIMENSIONS						
	UNITS	M1	M2	M3	W	L	H
	INCHES	1.687	8.906	8.344	2.375	9.500	1.500
	TOL(+/-)	0.010	0.010	0.010	0.050	0.050	0.050
	MM	43	226	212	60	241	38
TOL(+/-)	0.25	0.25	0.25	1.30	1.30	1.30	
LEAD LENGTH							
UNITS	BLACK	WHITE	RED	BLUE	BLUE	BLUE	
INCHES	22	22	46	26	26	26	
TOL(+/-)	3/8	3/8	3/8	3/8	3/8	3/8	
MM	559	559	1168	660	660	660	
TOL(+/-)	10	10	10	10	10	10	

CARTON CHARACTERISTICS

UNITS/CARTON 10	CARTONS/LAYER 12	# OF LAYERS 8	UNITS/PALLET 960	PIECE WEIGHT 2.5 lbs	CARTON WEIGHT 26 lbs	PALLET WEIGHT 2,573 lbs
CARTONS/PALLET 96	CARTON DIMENSIONS 12" x 12" x 4"		PALLET DIMENSIONS 40" x 48" x 7"	PALLET DIMENSIONS LOADED, INCLUDING WOOD PALLET 40" x 48" x 40"		

CARTON LABEL

ELECTRICAL DIAGRAM



PRODUCT LABEL

<p>277V 0.310A 610 OCV 60 Hz <22 THD*</p> <p>VOLTAGE TO GROUND <800 V-</p> <p>FOR 3-F32T8 OR 3-F32T8/U OR 3-F25T8 OR 3-F17T8 *THD <30 FOR 3F17T8</p> <p>SOUND RATED A</p> <p>5 YEAR WARRANTY</p>		<p>UL LISTED 5P49</p> <p>E-758-T-332</p> <p>INSTANT START ELECTRONIC BALLAST HIGH POWER FACTOR</p> <p>MINIMUM 0°C MADE IN MEXICO</p>	<p>SOLA</p> <p>CLASS P</p> <p>INHERENT THERMAL PROTECTION</p> <p>TYPE 1 OUT DOOR</p>	<p>6 60077 80113 5</p>
---	--	--	---	-------------------------------

Lighting and Power Source
2707 Realty Road, Suite 110
Carrollton, TX 75006
Tel: (888) 385-4448
Fax: (972) 418-5858