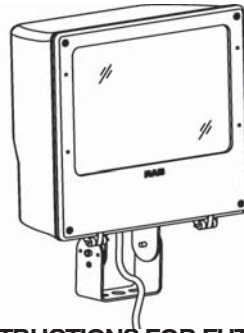
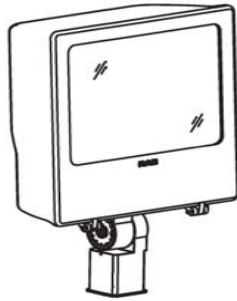


FLOODINATOR™ INSTALLATION INSTRUCTIONS

Thank you for buying RAB lighting fixtures. Our aim is to design the best quality products to get the job done right. We'd like to hear your comments. Call the Marketing Department at 888-RAB-1000, or email: marketing@rabweb.com



IMPORTANT

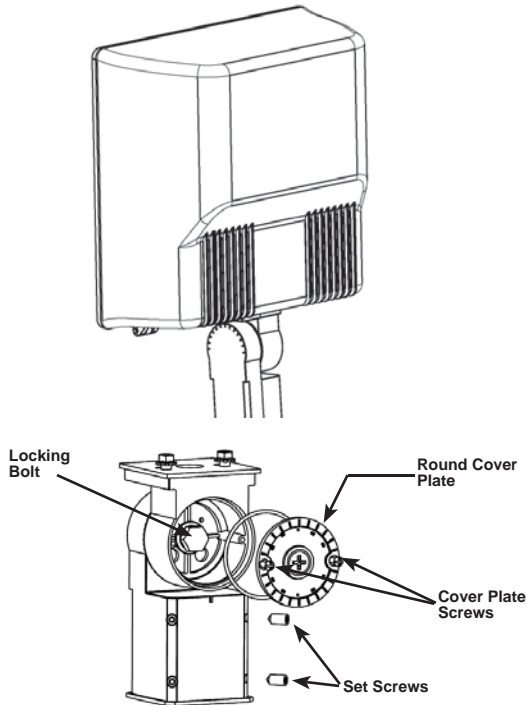
READ CAREFULLY BEFORE INSTALLING FIXTURE. RETAIN THESE INSTRUCTIONS FOR FUTURE REFERENCE.

RAB fixtures must be wired in accordance with the National Electrical Code and all applicable local codes. Proper grounding is required for safety. This product must be installed in accordance with the applicable installation code by a person familiar with the construction and operation of the product and the hazards involved.

WARNING: Make certain power is OFF before installing or maintaining fixture.

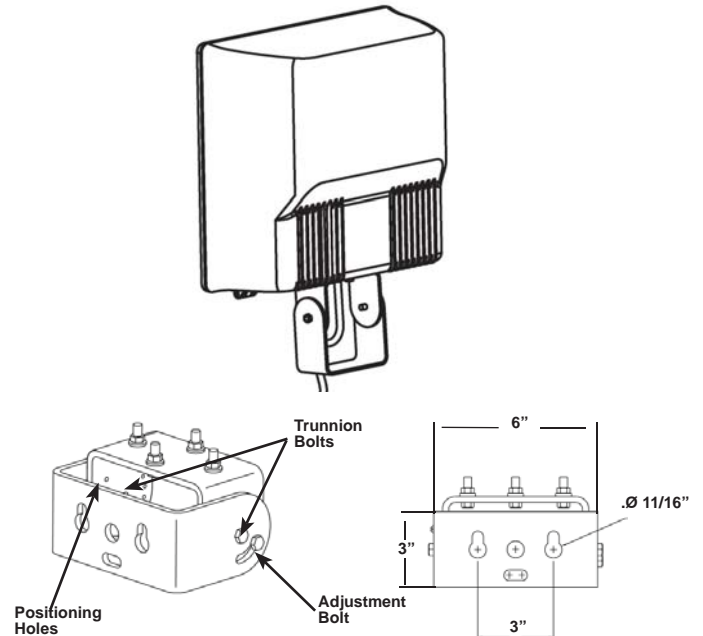
SLIPFITTER MOUNTING

1. The slipfitter fits a 2 3/8" O.D. tenon. Place the slipfitter over the tenon and secure with the **(4) Set Screws** on the side of the slipfitter.
2. To adjust the angle of the fixture:
 - a. Remove (2) **Cover Plate Screws** and the **Round Cover Plate**.
 - b. Hold the top of the fixture, loosen the **Locking Bolt** and swivel the fixture.
 - c. Tighten the **Locking Bolt** and re-attach the **Round Cover Plate**.



TRUNNION MOUNTING

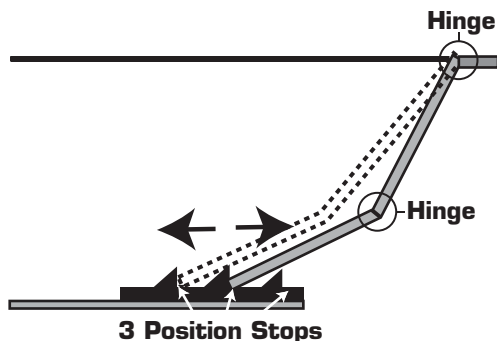
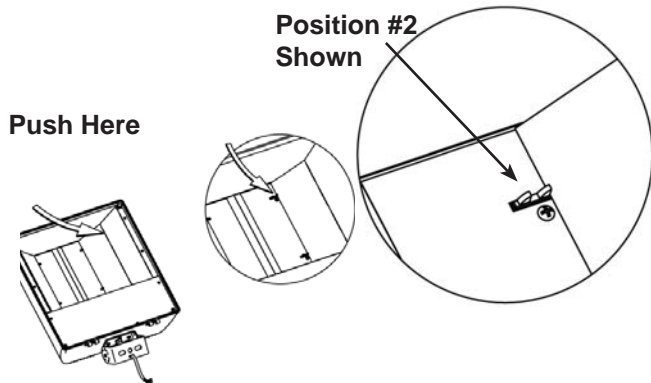
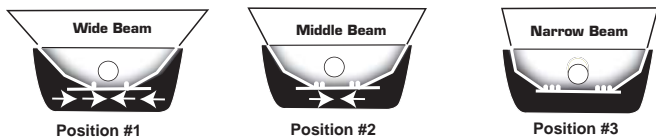
1. Mount floodlight to suitable flat surface with adequate hardware for that surface.
2. To adjust the angle of the fixture:
 - a. Hold top of fixture, loosen (2) **Trunnion Bolts**, the positioning screw and **Adjustment Bolt**.
 - b. Swivel the fixture until positioning screw is in one of the **Positioning Holes**.
 - c. Tighten the **Trunnion Bolts**, the Positioning Screw and the **Adjustment Bolt**.



FLOODINATOR™ INSTALLATION INSTRUCTIONS

REFLECTOR ADJUSTMENT

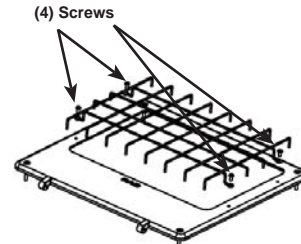
1. Loosen (4) door screws, open door.
2. Push each side of the reflector at point shown below. The Reflector will lock in position.
3. For even distribution, each side of the reflector should be adjusted to the same position.
4. Reflectors are factory set at the widest beam, Position #1.
5. To move reflector back in, gently lift up the reflector piece with a flat screwdriver. Bend reflector back and place behind the 1st position stop.



Adjustable Reflector: Patent Pending

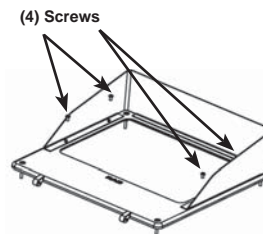
GUARD INSTALLATION

1. Mount GDFN Guard with (4) #10-24 x 3/8" screws as shown below.
2. Screws are provided with the Guard.



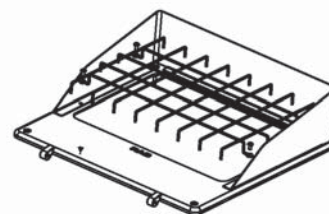
HOOD INSTALLATION

1. Mount 6" Hood FNH6 or the 12" Hood FNH12 with (4) #10-24 x 3/8" screws as shown below.
2. Screws are provided with the Hood.



GUARD & HOOD INSTALLATION

The wire guard and the 6" Hood FNH6 or the 12" Hood FNH12 can be mounted to the same fixture with (4) #10-24 x 3/8" screws as shown below.



CLEANING & MAINTENANCE

CAUTION: Be sure fixture temperature is cool enough to touch. Do not clean or maintain while fixture is energized.

1. Clean glass lens with non-abrasive glass cleaning solution.
2. As lamps age, light output diminishes. Mass relamping at regular intervals ensures full light output at the highest efficiency.

FLOODINATOR™ INSTALLATION INSTRUCTIONS

LAMP INSTALLATION

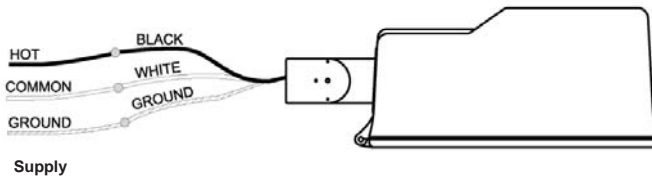
CAUTION: Prior to installing, check that the lamp is the correct ANSI type and wattage. Observe lamp manufacturer's recommendations on lamp operation, ballast type and burning positions.

1. Disconnect power. Make sure fixture and lamp are cool enough to touch.
2. Loosen (4) screws from the door of the fixture. Screws will remain captive to door. Open and swing door down on hinges.
3. Fully screw lamp into socket.
4. Before closing door, make sure door gasket is properly seated all around the door.
5. Check that all mounting bolts are tight.
6. Close door. Tighten screws.

WIRING

All units are factory wired for 277V, except for units with a requested 120V Photocell ("PC"). If voltages other than 277V are required, remove ballast cover and rewire for the appropriate voltage.

1. Connect the black fixture lead to the (+) LINE supply lead.
2. Connect the white fixture lead to the (-) COMMON supply lead.
3. Connect the Ground wire from fixture to supply ground.
4. All unused leads must be capped and insulated.



REPLACEMENT LAMPS AND BALLASTS

Wattage	RAB Lamp Catalog#	ANSI Code	RAB Ballast Catalog#
High Pressure Sodium			
400	LHPS400	S51	BHPSH400QT
1000	LHPS1000	S52	BHPSH1000QT
Metal Halide			
400	LMH400	M59	BMHH400QT
400PS	LMH400PS	M155	BMHH400PSQ
1000	LMH1000	M47	BMHH1000QT

480V Ballasts are available, consult factory.

TROUBLESHOOTING

1. Is the proper lamp is installed? Check the wattage and ANSI code on the fixture label against markings on the lamp. Refer to Replacement Lamp table above for verification.
2. Make sure the lamp is not defective. Try a lamp known to be in operating condition.
3. Check that the line voltage at fixture is correct. Refer to wiring directions.
4. Is there voltage at the lamp socket? If there is no voltage, check all connections.
5. Is the fixture grounded properly?
6. Is the photocell functioning properly (if used)?

ACCESSORIES

Wire Guard:
6" Hood
12" Hood

GDFN
FNH6
FNH12

Factory Installed Photo Cells

120V Swivel	/PCS
277V Swivel	/PCS2
480V Swivel	/PCS4

Note: These instructions do not cover all details or variations in equipment nor do they provide for every possible situation during installation, operation or maintenance.

RAB fixture designs are protected under U.S. and International Intellectual Property laws. Patent Pending