

COMPACT FLUORESCENT

I-42-EM-A FLUORESCENT EMERGENCY BALLAST FOR 4-PIN COMPACT LAMPS



LUMEN OUTPUT

(One 10W-42W Lamp) 650 Lumens
(Two 10W-18W Lamps) 325 Lumens per Lamp

LAMPS OPERATED

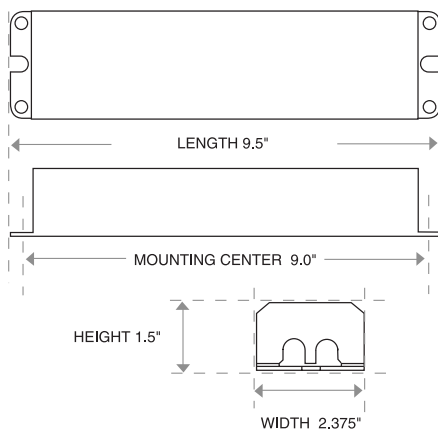
10W-42W 4-pin Rapid Start Compact Lamps
(Twin, Triple, Quad Tube, 2D & Straight)
and 18W-36W Long Compact Lamps

EMERGENCY OPERATION

90 Minute AC Output
(1) 10W-42W or (2) 10W-18W

The **I-42-EM-A** from IOTA Engineering is a UL Listed fluorescent emergency ballast that allows the same fixture to be used for both normal and emergency operation. In the event of a power failure, the **I-42-EM-A** switches to the emergency mode and operates **one or two** of the existing lamps for **90 minutes**. The unit contains a battery, charger, and inverter circuit in a single can. The **I-42-EM-A** can be used with most 10W-42W twin, triple, quad tube, 2D and straight **4-pin** compact fluorescent lamps and 18W-36W long compacts, with a total initial output of up to **650 lumens** for one or two lamps. **The I-42-EM-A utilizes AC output to ensure compatibility with new lamp technologies**, and features lamp selector leads for optimizing light output for designated lamp types. The **I-42-EM-A** provides 1/2" flex for wiring to the fixture or ballast compartment and standard switch box containing the test switch, charge light, and unit battery connector.

CASE DIMENSIONS



TECHNICAL SPECIFICATIONS

Input Voltage 120/277V, 60Hz
 Input Wattage 3.5 Watts
 Lamps Operated 10W-42W **4-pin** Rapid Start
 Twin, Triple, Quad Tube, 2D
 & Straight Compact Lamps,
 18W-36W Long Compact Lamps
 Emergency Operation (1) 10W-42W or (2) 10W-18W
 90 minutes
 Initial Illumination* 650 lumens
 (2) lamps 325 lumens each lamp
 *Long Compact - (1) lamp only
 Operating Temp 0° to 55° C
 Approval U.L. and C.U.L. Listed
 Weight 4.4 lbs.

U.L. and C.U.L. Listed

Will cold start and operate all specified lamps

Long life high temperature recyclable Ni-Cad battery

Galvanized steel case

90 minute emergency operation

Dual voltage 120/277V, 60Hz

Includes one-piece TBTS test switch and charge indicator

5-Year Warranty. See Warranty Page for details.

AC output in emergency mode

Time delay enhancement

Open circuit isolation

Selectable lamp leads for optimizing light output
for desired lamp type

Meets or exceeds all National Electrical Code and Life
Safety Code Emergency Lighting Requirements

International Voltage and Damp Location Models available

MODEL NO: I-42-EM-A TYPE:

PROJECT:

COMMENTS:

IOTA ENGINEERING

P.O. BOX 11846 TUCSON, AZ 85734
(520) 294-3292 • FAX (520) 741-2837

www.iotaengineering.com

SAMPLE SPECIFICATION

Emergency lighting shall be provided by using a standard fluorescent fixture equipped with an **IOTA I-42-EM-A** fluorescent emergency battery pack. The **I-42-EM-A** shall consist of a high temperature, maintenance-free nickel cadmium battery, charger board and an electronic circuit enclosed in a 9 1/2" x 2 3/8" x 1 1/2" vandal-resistant galvanized steel case. The unit is designed for installation on top of the fixture and is equipped with 1/2" flex for wiring to the fixture or ballast compartment. A combination one-piece long-life LED charge indicator light and test switch shall be included. The fluorescent EM pack shall operate one 10w-42w or two 10w-18w twin, triple, quad tube, 2D or straight **4-pin** fluorescent lamps, or one 18w-36w long compact fluorescent lamp. The **I-42-EM-A** shall provide reduced illumination for a minimum of 90 minutes in the emergency mode with a total initial output of 650 lumens. **The I-42-EM-A will operate the lamp(s) with AC output** and will feature selectable lamp leads for optimizing light output for the designated lamp type. The **I-42-EM-A** shall have 3.5 watts of input power and a battery capacity of 14.4 watt hours. The **I-42-EM-A** is UL Listed and meets or exceeds all NEC and Life Safety Code Emergency Lighting Requirements. The **I-42-EM-A** is warranted for a full five (5) years from the date of purchase.

OPTIONS

TEST KIT CONFIGURATION

- TBTS
- LIGHTED TEST SWITCH IN REFLECTOR
RECOMMENDED FOR OEM INSTALLATION ONLY.
CONTACT CUSTOMER SERVICE FOR DETAILS

SPECIALTY

- DL (DAMP LOCATION)

VOLTAGE RATINGS

- 120/277V 60HZ (STANDARD)
- 220V 50HZ
- 240V 60HZ
- 120V 50HZ

AVERAGE LUMEN RATINGS

LAMP	1 LAMP	2 LAMPS
13W PL CF 4-PIN	350	400
18W PL CF QUAD 4-PIN	350	550
26W PL CF QUAD 4-PIN	425	
32W PL CF QUAD 4-PIN	600	
42W PL CF QUAD 4-PIN	750	
F282 D/42 4-PIN	475	500
F382 D/42 4-PIN	500	650
18W LONG COMPACT	500	
24W LONG COMPACT	575	
36W LONG COMPACT	650	

REMOTE MOUNTING

When battery packs are remote mounted, the remote distance can not exceed 1/2 of the distance from ballast to lamp specified by the A.C. ballast manufacturer. For example, if the A.C. ballast manufacturer recommends no more than 25' remote distance, then the battery pack should not exceed 12 1/2'. The maximum allowable remote mounting distance is 50' from the lamp.