



Reflector PAR56 / PAR64

Reflector 500W 120V PAR56 FL

The Philips Reflector Par 56 and Par 64 bulbs are the perfect lighting solution, ideal for stage, studio and disco use.

Product data

• General Characteristics

Base	Extended Mogul End Prong
Bulb	PAR56 [PAR 7inch/180mm]
Operating Position	Universal [Any or Universal (U)]
Nominal Lifetime	4000 hr

• Light Technical Characteristics

Beam Description	Flood [Flood]
Initial lumen	43000 Lm

• Electrical Characteristics

Watts	500 W
Voltage	120 V

• Product Dimensions

Overall Length C	127.5 (max) mm
Diameter D	179 mm

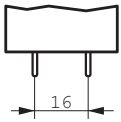
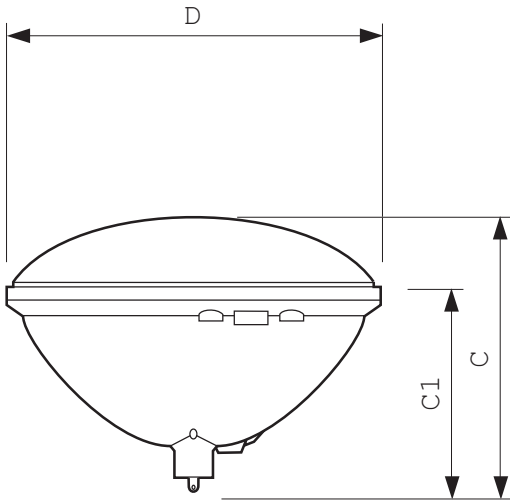
• Product Data

Product number	356212
Full product name	Reflector 500W 120V PAR56 FL
Short product name	500PAR56Q/MFL 120V 8PK
Pieces per Sku	1
Skus/Case	8
Bar code on pack	46677356217
Bar code on case	50046677356212
Logistics code(s)	923813036375
eop_net_weight_pp	0.679 kg

Dimensional drawing

Reflector PAR56 / PAR64

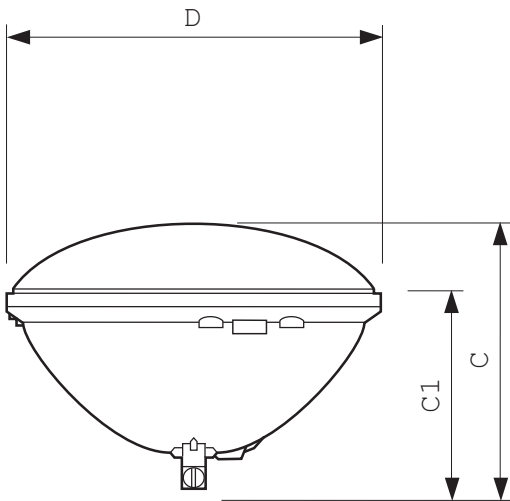
Dimensional drawing



GX16d

Reflector 500W 120V PAR56 FL

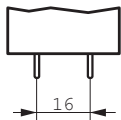
Product	C (Max)	C1 (Norm)	D (Norm)	D (Max)
PAR56 500W GX16d 120V PAR56 FL	127.5	-	179	-



Reflector 500W 120V PAR56 FL

Product	C (Max)	C1 (Norm)	D (Norm)	D (Max)
PAR56 500W GX16d 120V PAR56 FL	127.5	-	179	-

Dimensional drawing



GX16d



© 2013 Koninklijke Philips Electronics N.V.
All rights reserved.

Specifications are subject to change without notice. Trademarks are the property of Koninklijke Philips Electronics N.V. or their respective owners.

www.philips.com/lighting

2013, May 17
data subject to change