

Philips MSR SA / Single Ended

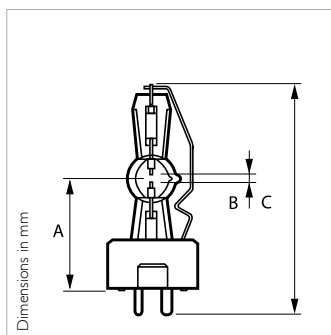
Features	Benefits
Philips P3 pinch protection	Enables use at higher temperatures in any burning position. Longer lifetime, fewer early failures, consistent performance over time
Very short arc	High beam intensity
Compact lamp design	Compact design luminaries
MSR filling	Excellent color characteristics, optimal colors on stage



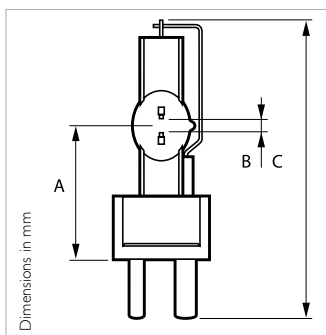
MSR 400 SA / MSR 700 SA



MSR 1200 SA / MSR 2000 SA



MSR 400 SA / MSR 700 SA



MSR 1200 SA / MSR 2000 SA

Dimensions			
Type	A	B	C max.
MSR 400 SA	36.5±0.5	3.0	80
MSR 700 SA	39.0±0.5	4.0	85
MSR 1200 SA	59.0±0.5	7.0	135
MSR 2000 SA	59.0±1.0	7.0	135

Ballast specifications			
Type of lamp	Impedance Ω	Current A	Ballast losses W
MSR 400 SA	Electronic Ballast only		
MSR 700 SA	"	"	"
MSR 1200 SA	"	"	"
MSR 2000 SA	"	"	"

Ignitor Specifications			
Type	Vp (kV) min.	Min. Ignation time max. (sec)	
MSR 400 SA	2	4.5	20
MSR 700 SA	2	4.5	20
MSR 1200 SA	2	5	20
MSR 2000 SA	2.5	5	20

Maximum permissible temperatures (°C)		
Type	Pinch	Bulb
MSR 400 SA	500	1000
MSR 700 SA	500	1000
MSR 1200 SA	500	1000
MSR 2000 SA	500	1000

Type	Lamp wattage W	Cap/ base	Lumen output lm	Efficacy source lm/W	Chromaticity coordinates x y	Color rendering index Ra	Color temp. K	Burning position*)	Average lamp life h	Replacement before hrs	Minimum ignition supply voltage V	Lamp current A	Ordering number
MSR 400 SA	400	GY9.5	30000	75	.330 .342	75	5600	ANY	750	1000	207	8.4	353656
MSR 700 SA	700	GY9.5	55000	80	.330 .342	80	5600	ANY	750	1000	207	11.0	287185
MSR 1200 SA	1200	GY22	96000	80	.330 .342	80	5600	ANY	750	1000	207	13.8	291351
MSR 2000 SA	2000**	GY22	155000	86	.320 .330	> 80	6000	ANY	750	1000	207	20.0	382812

*) Tip at side

**) Lamp can be operated at 2000 W for max 50% of specified average lifetime



Philips P3 pinch protection technology

- **Reliability**, through longer lifetime and fewer early failures.
- **Quality**, through excellent storage characteristics and consistent performance over time.
- **Compactness**, allowing more compact design of fixtures and burning positions.
- **Philips P3 technology**, Max 500° C pinch temperature
- **No pinch protection**, Max 350° C pinch temperature



©2006 Koninklijke Philips Electronics N.V.
All rights reserved.
Document order number:
3222 635 49491/P-5701B

Philips Lighting Company
200 Franklin Square Drive
P.O. Box 6800
Somerset, NJ 08875-6800
1-800-555-0050
A Division of Philips Electronics
North America Corporation

Philips Lighting
281 Hillmount Road
Markham, Ontario
Canada, L6C 2S3
1-800-555-050
A Division of Philips Electronics Ltd.