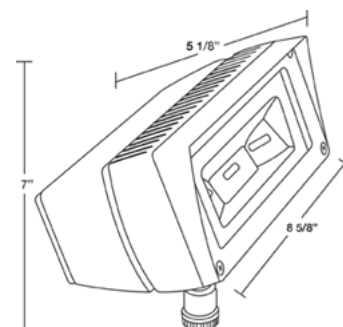


FFLED18

Rectangular shaped LED floodlight designed to replace 70W Metal Halide. Patent Pending airflow technology ensures long LED and driver lifespan. Use for building facade lighting, sign lighting, LED landscape lighting and instant-on security lighting.

Color: Bronze

Weight: 4.8 lbs



LED Info

Watts: 18W
 Color Temp: 5100K (Cool)
 Color Accuracy: 70
 L70 Lifespan: 100000
 LM79 Lumens: 1,624
 Efficacy: 73 LPW

Driver Info

Type: Constant Current
 120V: 0.2 A
 208V: 0.15 A
 240V: 0.13 A
 277V: 0.11 A
 Input Watts: 22W
 Efficiency: 80%

Technical Specifications

UL Listing:

Suitable For Wet Locations. Suitable for mounting within 1.2M(4FT) of the ground

Lumen Maintenance:

100,000-hour LED lifespan based on IES LM-80 results and TM-21 calculations.

NEMA Type:

7H x 6V Beam Spread

Airflow:

Patent pending Airflow technology heat sink for superior cooling

LEDs:

18 Watt high performance LEDs

Driver:

Constant Current, Class 2, 100 - 277V, 50 - 60 Hz, 100 - 277VAC 0.4 Amps

Input Watts:

22

Fixture Efficacy:

73 Lumens per Watt

Surge Protection:

6 KV

Ambient Temperature:

Suitable for use in 40°C ambient temperatures.

Cold Weather Starting:

The minimum starting temperature is -40°F/-40°C.

Thermal Management Housing:

Die-cast aluminum housing, lens frame and mounting arm

Mounting:

Heavy-duty mounting arm with O ring seal & stainless steel screw

Color Stability:

RAB LEDs exceed industry standards for chromatic stability.

Color Accuracy:

70 CRI

Color Temperature (Nominal CCT):

5100K

Color Uniformity:

RAB's range of CCT (Correlated Color Temperature) follows the guidelines of the American National Standard for (SSL) Products, ANSI C78.377-2008.

Reflector:

Semi-specular anodized aluminum

Gaskets:

High-temperature silicone gaskets

Finish:

Chip and fade resistant polyester

Green Technology:

Mercury and UV free

IESNA LM-79 & LM-80 Testing:

RAB LED luminaires have been tested by an independent laboratory in accordance with IESNA LM-79 and LM-80, and have received the Department of Energy Lighting Facts label.



FFLED18 - continued

California Title 24:

FFLED18 complies with California Title 24 building and electrical codes.

Warranty:

RAB LED fixtures give you peace of mind because both the fixture and driver components are backed by RAB's 5 Year Warranty. For more information,

Patents:

The FFLED18 design is protected by Taiwan Patent 01510948 and patents pending in the U.S., Canada, China, and Mexico.

