



FNH1000/480



JOB NAME: _____
 DATE: _____
 TYPE: _____

DESCRIPTION

Floodinator with steel trunnion mount allows easy surface mounting for aiming flexibility. Factory wired with QT CWA-HPF ballast and 3-foot flexible cord. Adjustable aiming over 180° arc. Mounting can be locked securely in place. Lamp supplied.

SPECIFICATIONS

UL Listing

Suitable for wet locations. Suitable for mounting within 4' of the ground

Housing

One-piece die cast aluminum with die cast door frame held captive when opened

Reflector

High quality anodized aluminum eliminates redirected energy to prolong lamp life. Contoured for maximum horizontal and vertical beam dispersion

Finish

Chip and fade resistant polyester powder coating.

Lens

Thermal, tempered shock resistant glass, 5/32" thick

Lens Gasket

High temperature extruded silicone set in die cast retaining groove. Remains in place during relamping

Socket

Porcelain socket pulse rate 4 KV, 1500 watts and 600 volts, reinforced with cat's eyes for added durability. Silicone and fiberglass #14 gauge socket leads rated for 200°C. Plated screw shell designed to resist corrosion with spring loaded center contact.

Ballast Volts

480 V

Starting/Operating Amps

1.9/2.3A

EPA

4.2

Patents

The unique RAB Floodinator is protected by U.S. Patents D567,980 and D572,396; China Patents ZL200730149207.6 and ZL200730149212.7; Taiwan Patent D127,687 and Canada Patents D121,990 and D121,988

Country of Origin

Designed by RAB in New Jersey and assembled in the USA by IBEW Local 3

Buy American Act Compliant

This product is a COTS item manufactured in the United States, and is compliant with the Buy American Act.

Recovery Act (ARRA) Compliant

This product complies with the 52.225-21 "Required Use of American Iron, Steel, and Manufactured Goods-- Buy American Act-- Construction Materials (October 2010)

Trade Agreements Act Compliant

This product is a COTS item manufactured in the United States, and is compliant with the Trade Agreements Act.

GSA Schedule

This product is suitable for listing on the GSA Schedule of the US General Services in accordance with FAR Subpart 25.4

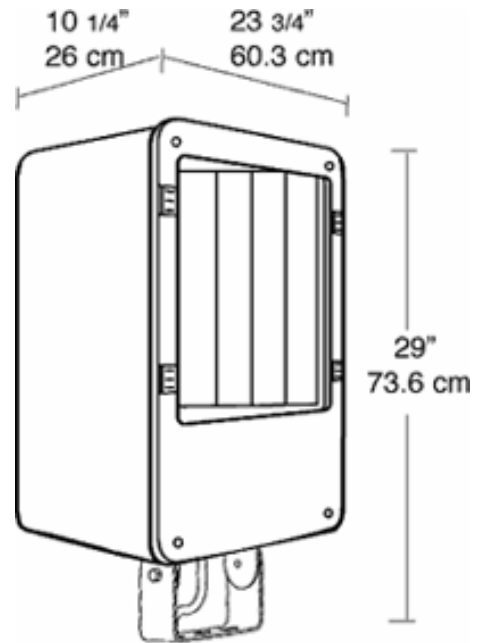
Color

Bronze

Weight

66.75

DIMENSIONS



ORDERING INFORMATION

Metal Halide Lamp supplied with fixture	Total Watts	Lamp Type	Lamp Base	Ballast	Starting Amps/ Operating Amps				Input Watts	LAMP ANSI	Initial Lumens	Lamp Hours
					120V	208V	240V	277V				
	1000	BT56	Mogul	CWA-HPF 480V					999.9	M47	110000	12000

Factory Installed Options
 Add suffix to Catalog Number

- Swivel Photocontrol wired for 480 Volt (/PCS4) Single fusing for 120 and 277 volt (/F)
- Swivel Photocontrol wired for 208 - 240 Volt (/PCS5) Double fusing for 208 and 240 volt. (/FF)
- Swivel Photocontrol wired for 120V (/PCS) Button Photocontrol wired for 120V (/PC)
- 480 Volt (/480)

Note: Specifications may change without notice