



FZH400SFPSQ



JOB NAME: _____
 DATE: _____
 TYPE: _____

DESCRIPTION

Floodzilla with integral slip fitter for O.D 2 3/8" tenon size. Slipfitter joint adjusts over 180° arc. Factory wired for 277V. Lamp supplied.

SPECIFICATIONS

UL Listing

Suitable for wet locations. Suitable for mounting within 4' of the ground.

Housing

Precision die cast aluminum

Reflector

High quality anodized aluminum

Lens

Tempered shock resistant glass

Lens Gasket

Molded one-piece silicone in die cast retaining groove to remain in place during relamping

Socket

Glazed porcelain 4kv pulse rated with nickel plated screw shell and spring contacts

Finish

Chip and fade resistant polyester powder coating

EPA

1.3

Pulse Start

Pulse Start metal halide for increased lamp life, lumen maintenance, color uniformity and efficiency

Patents

Pat. D547,478

EISA 2007 Compliant

This product complies with the new law for metal halide ballast efficiency. This law goes into effect January 1st, 2008. Pulse Start offers Longer Lamp Life, Faster Startup and Faster Restrike.

Country of Origin

Designed by RAB in New Jersey and assembled in the USA by IBEW Local 3

Buy American Act Compliant

This product is a COTS item manufactured in the United States, and is compliant with the Buy American Act.

Recovery Act (ARRA) Complaint

This product complies with the 52.225-21 "Required Use of American Iron, Steel, and Manufactured Goods-- Buy American Act-- Construction Materials (October 2010)

Trade Agreements Act Compliant

This product is a COTS item manufactured in the United States, and is compliant with the Trade Agreements Act.

GSA Schedule

This product is suitable for listing on the GSA Schedule of the US General Services in accordance with FAR Subpart 25.4

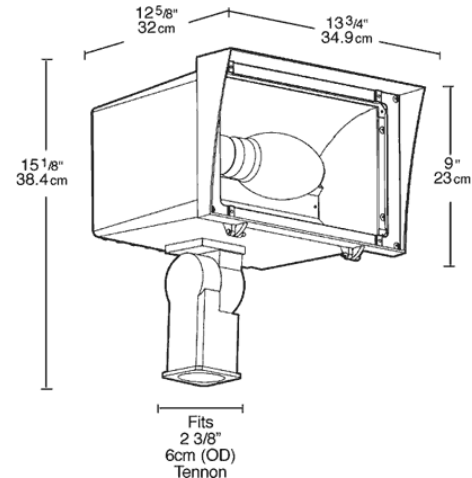
Color

Bronze

Weight

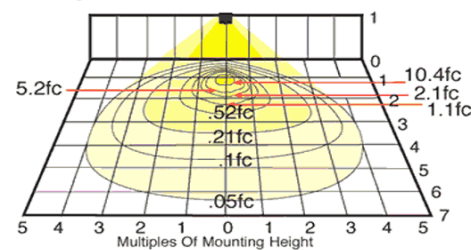
29.85

DIMENSIONS



PHOTOMETRIC

400w HPS fixture @30' mounting height aimed @45° below horizontal



Mounting Height	Multiplier	Watts	Multiplier	HPS	MH
40'	.6	175		.3	
30'	1.0	200PS		.4	
25'	1.4	250	.6	.4	
20'	2.3	250PS		.5	
		320PS		.6	
		350PS		.7	
		400	1.0	.7	
		400PS		.8	

ORDERING INFORMATION

Metal Halide Lamp supplied with fixture	Total Watts	Lamp Type	Lamp Base	Ballast	Starting Amps/ Operating Amps				Input Watts	LAMP ANSI	Initial Lumens	Lamp Hours
					120V	208V	240V	277V				
	400	ED28	Mogul	CWA-HPF QT	3.5/4.0	2.0/2.3	1.8/2.0	1.5/1.8	450.0	M135	40000	15000

Factory Installed Options
 Add suffix to Catalog Number

Swivel Photocontrol wired for 120V (/PCS) Button Photocontrol wired for 120V (/PC)
 Button Photocontrol wired for 480 (/PC4) 480 volt only ballast (/480)
 Button Photocontrol wired for 208 - 277V (/PC2)

Note: Specifications may change without notice