



# MEGH250SFPSQ



JOB NAME: \_\_\_\_\_  
 DATE: \_\_\_\_\_  
 TYPE: \_\_\_\_\_

## DESCRIPTION

Mega flood with heavy duty, die cast slipfitter for 2 3/8" O.D. tenon size. Slipfitter joint adjusts over 180° arc. Lamp supplied.

## SPECIFICATIONS

### UL Listing

Suitable for wet locations. Suitable for mounting within 4' of the ground.

### Housing

One-piece die cast aluminum with die cast door frame held captive when opened

### Reflector

High quality anodized aluminum eliminates redirected energy to prolong lamp life. Contoured for maximum horizontal and vertical beam dispersion.

### Finish

Chip and fade resistant polyester powder coating

### Lens

Thermal, tempered shock resistant glass, 5/32" thick

### Lens Gasket

High temperature extruded silicone set in die cast retaining groove. Remains in place during relamping

### Socket

3 socket positions customize beam spread to the application (center position is standard). Porcelain socket pulse rated 4kv, 1500 watts and 600 volts, reinforced with cat's eyes for added durability. Silicone and fiberglass #14 gauge socket leads rated for 200° C. Plated screw shell designed to resist corrosion with spring loaded center contact

### EPA

2.1

### Pulse Start

Pulse Start metal halide for increased lamp life, lumen maintenance, color uniformity and efficiency

### Patents

The unique RAB Mega flood is protected by U.S. Patents D565,772 and D570,024; China Patent ZL200730149208.0; Taiwan Patent D127,426 and Canada Patents D121,989 and D124,891

## ORDERING INFORMATION

Metal Halide Lamp supplied with fixture	Total Watts	Lamp Type	Lamp Base	Ballast	Starting Amps/ Operating Amps				Input Watts	LAMP ANSI	Initial Lumens	Lamp Hours
					120V	208V	240V	277V				
	250	ED28	Mogul	CWA-HPF QT	1.4/2.5	.8/1.5	.7/1.3	.6/1.1	288.0	M138	25000	15000

**Factory Installed Options**  
 Add suffix to Catalog Number

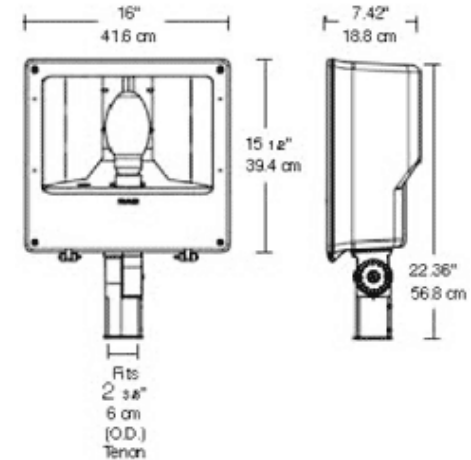
Swivel Photocontrol wired for 120V (/PCS)  
 Single fusing for 120 and 277 volt. (/F)  
 Double fusing for 208 and 240 volt. (/FF)

Button Photocontrol wired for 480V (/PC4)  
 Button Photocontrol wired for 277V (/PC2)  
 Button Photocontrol wired for 120V (/PC)  
 480 volt ballast (substitute /480 for QT) (/480)

Note: Specifications may change without notice

**RAB Lighting, Inc.** • 170 Ludlow Ave • Northvale, NJ 07647 • Tel: 888 RAB-1000 • Fax: 888 RAB-1232 • www.rabweb.com  
 © 2011

## DIMENSIONS



### Country of Origin

Designed by RAB in New Jersey and assembled in the USA by IBEW Local 3

### Buy American Act Compliant

This product is a COTS item manufactured in the United States, and is compliant with the Buy American Act.

### Recovery Act (ARRA) Compliant

This product complies with the 52.225-21 "Required Use of American Iron, Steel, and Manufactured Goods-- Buy American Act-- Construction Materials (October 2010)

### Trade Agreements Act Compliant

This product is a COTS item manufactured in the United States, and is compliant with the Trade Agreements Act.

### GSA Schedule

This product is suitable for listing on the GSA Schedule of the US General Services in accordance with FAR Subpart 25.4

### Color

Bronze

### Weight

30.7