



MEGS400SFQT



JOB NAME: _____

DATE: _____

TYPE: _____

DESCRIPTION

Mega flood with heavy duty, die cast slipfitter for 2 3/8" O.D. tenon size. Slipfitter joint adjusts over 180° arc. Lamp supplied.

SPECIFICATIONS

UL Listing

Suitable for wet locations. Suitable for mounting within 4' of the ground.

Housing

One-piece die cast aluminum with die cast door frame held captive when opened

Reflector

High quality anodized aluminum eliminates redirected energy to prolong lamp life. Contoured for maximum horizontal and vertical beam dispersion.

Finish

Chip and fade resistant polyester powder coating

Lens

Thermal, tempered shock resistant glass, 5/32" thick

Lens Gasket

High temperature extruded silicone set in die cast retaining groove. Remains in place during relamping

Socket

3 socket positions customize beam spread to the application (center position is standard). Porcelain socket pulse rated 4kv, 1500 watts and 600 volts, reinforced with cat's eyes for added durability. Silicone and fiberglass #14 gauge socket leads rated for 200° C. Plated screw shell designed to resist corrosion with spring loaded center contact

Quad Tap

Fixture works with 120, 208, 240 and 277 Volts

EPA

2.1

Patents

The unique RAB Mega flood is protected by U.S. Patents D565,772 and D570,024; China Patent ZL200730149208.0; Taiwan Patent D127,426 and Canada Patents D121,989 and D121,991.

Country of Origin

Designed by RAB in New Jersey and assembled in the USA by IBEW Local 3

Buy American Act Compliant

This product is a COTS item manufactured in the United States, and is compliant with the Buy American Act.

Recovery Act (ARRA) Compliant

This product complies with the 52.225-21 "Required Use of American Iron, Steel, and Manufactured Goods-- Buy American Act-- Construction Materials (October 2010)

Trade Agreements Act Compliant

This product is a COTS item manufactured in the United States, and is compliant with the Trade Agreements Act.

GSA Schedule

This product is suitable for listing on the GSA Schedule of the US General Services in accordance with FAR Subpart 25.4

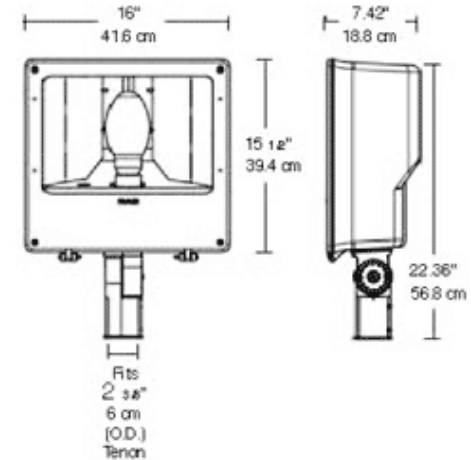
Color

Bronze

Weight

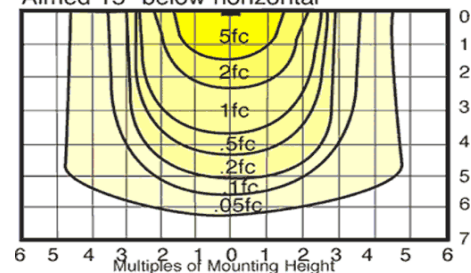
36.34

DIMENSIONS



PHOTOMETRIC

400w HPS @ 32' Mounting Height
Aimed 15° below horizontal



Mounting Height	Multiplier
20'	2.6
25'	1.6
30'	1.1
35'	.8
40'	.6

Watts	Multiplier HPS
250	.8
400	1.4

ORDERING INFORMATION

High Pressure Sodium
Lamp supplied with fixture

Total Watts	Lamp Type	Lamp Base	Ballast
400	ED18	Mogul	CWA-HPF QT

Starting Amps/ Operating Amps				Input Watts	LAMP ANSI	Initial Lumens	Lamp Hours
120V	208V	240V	277V				
3.3/3.8	1.8/2.2	1.5/1.9	1.4/1.7	464.0	S51	50000	24000

Factory Installed Options
Add suffix to Catalog Number

Swivel Photocontrol wired for 120V (/PCS)
Single fusing for 120 and 277 volt. (/F)
Double fusing for 208 and 240 volt. (/FF)

Button Photocontrol wired for 480V (/PC4)
Button Photocontrol wired for 277V (/PC2)
Button Photocontrol wired for 120V (/PC)
480 volt ballast (substitute /480 for QT) (/480)

Note: Specifications may change without notice