

RAB LIGHTING

QF1500



JOB NAME: _____
 DATE: _____
 TYPE: _____

DESCRIPTION

1500 watt quartz floodlight. Heavy duty die cast aluminum hinged lens frame permits easy relamping. Stainless steel locking clips. Accepts 1000 or 1500 watt, 208v, 240v, or 277v lamp. Lamp not supplied.

SPECIFICATIONS

UL Listing

Suitable for wet locations.

Patents

RAB sensor and fixture designs are protected under U.S. and International Intellectual Property laws

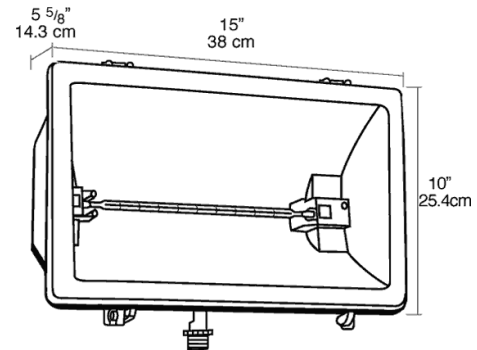
Color

Bronze

Weight

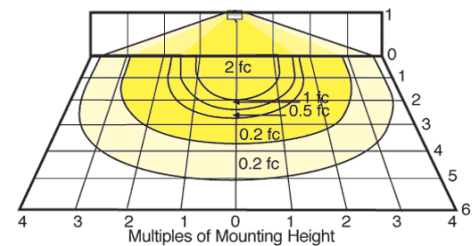
6.53

DIMENSIONS



PHOTOMETRIC

500w Quartz @ 15' Mounting Height
 Aimed 30° below horizontal



Mounting Height	Multiplier
8'	3.5
12'	1.6
20'	.6
24'	.4
15'	1.0

Watts	Multiplier
150	.3
300	.6
500	1.0
1500	3.1

ORDERING INFORMATION

Double Ended Quartz Halogen
 Lamp supplied with fixture

Total Watts	Lamp Type	Lamp Base	Ballast
1500	T3	Double Ended	0

Starting Amps/ Operating Amps				Input Watts	LAMP ANSI	Initial Lumens	Lamp Hours
120V	208V	240V	277V				
0	0	0	0	999.9	0	33000	2000

Factory Installed Options
 Add suffix to Catalog Number

Note: Specifications may change without notice

RAB Lighting, Inc. • 170 Ludlow Ave • Northvale, NJ 07647 • Tel: 888 RAB-1000 • Fax: 888 RAB-1232 • www.rabweb.com
 © 2011