

# STL360



JOB NAME: \_\_\_\_\_

DATE: \_\_\_\_\_

TYPE: \_\_\_\_\_

## DESCRIPTION

Super Stealth Sensor with Total 360 + 180 "Can't Miss" Coverage, Surge Protection, Scanning LEDs, Evening Timer and Color Matched Lens, Universal CU4 cover plate included.

## SPECIFICATIONS

### UL Listing

Suitable for wet locations.

### Voltage

120 volts AC 60 Hz

### Power Consumption

1 watt

### Time Adjustment

5 seconds to 12 minutes

### Scanning LEDs

3 LEDs continually scan back-and-forth

### Surge Protection

Withstands up to 6000 volts

### Wide Sensitivity Control

Adjustable from 100% to 30%

### Temperature Compensation

Sensitivity adjusted automatically for consistent detection in hot and cold ambient temperatures.

### Wall Switch Manual Override

Two flip logic prevents activation by momentary power outages. Override resets to auto at dawn. No extra wiring needed.

### Evening Timer

Keeps lights on for 1-8 hours after dusk. Then sensor is motion activated until dawn.

### Set it and forget it

STL360's full coverage pattern reduces need for aiming and adjustment.

### Advanced Detection Logic

Minimizes false triggers

### Color Matched Lens

Dark lens with bronze units, white lens with white units

### Lens Masks

Customized press apply lens mask included to reduce coverage easily

### RF Immunity

Circuits fully shielded for maximum radio frequency immunity.

### Photoelectric Control

Deactivates lights during daylight. Fully adjustable for 24 hour operation or custom applications.

### Detection

Senses 180° out and 360° down for Total Detection

### Switching Capacity

8 amps, 1000 watts incandescent @ 120 volts

### Patents

RAB sensor and fixture designs are protected under U.S. and International Intellectual Property laws.

### Warranty

10 year sensor warranty

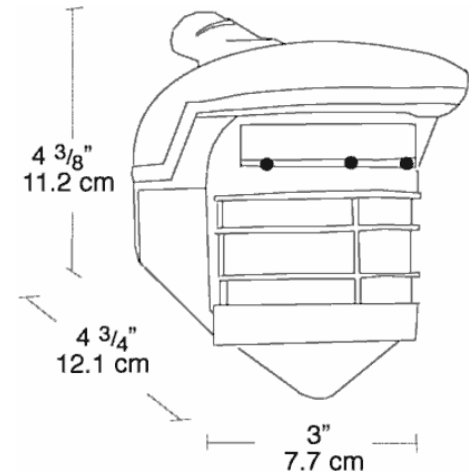
### Color

Bronze

### Weight

1.5

## DIMENSIONS



## DETECTION PATTERN

