



JOB NAME: _____
 DATE: _____
 TYPE: _____

DESCRIPTION

The same Wallpack as the WP1, but with prismatic glass lens to eliminate yellowing. Lamp supplied.

SPECIFICATIONS

UL Listing

Suitable for wet locations. HID fixtures can be wired with 90° C supply wiring if supply wires are routed 3" away from the ballast.

Housing

Die cast aluminum, 1/2" NPS tapped top, both sides and back for conduit or photocontrol. Hinged refractor. Continuous one piece silicone rubber gasket.

Reflector

Semi-Specular anodized aluminum, removable for installation. Symmetrical light pattern maximizes distance between fixtures.

Finish

Chip and fade resistant polyester powder coating.

Conduit Openings

Top, side and back

Template

Drilling template for easy wall box mounting

Patents

Pat. D440,683

EISA 2007 Compliant

This product complies with the new law for metal halide ballast efficiency. This law goes into effect January 1st, 2008. Pulse Start offers Longer Lamp Life, Faster Startup and Faster Restrike.

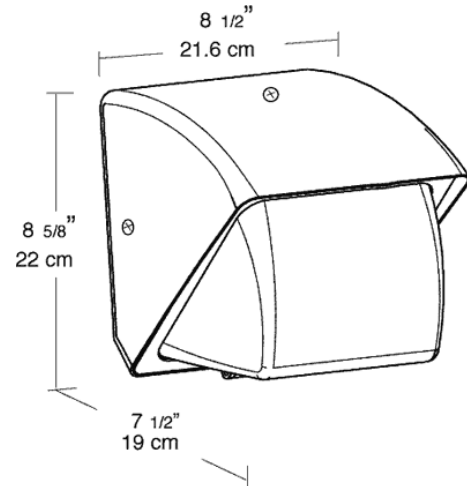
Color

Bronze

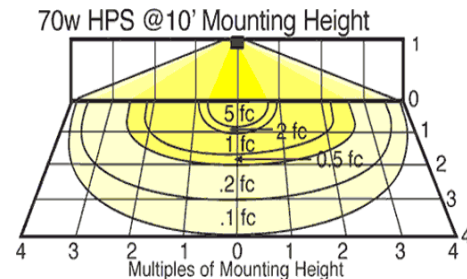
Weight

10.5

DIMENSIONS



PHOTOMETRIC



| Mounting Height | Multiplier | Multiplier | | |
|-----------------|------------|------------|-----|--------|
| | | Watts | HPS | MH CFL |
| 8' | 1.6 | 100 | 1.5 | 1.4 |
| 10' | 1.0 | 70 | 1.0 | .9 |
| 12' | .7 | 50 | .6 | .5 |
| 16' | .4 | 35 | .4 | .5 |
| 20' | .25 | 42 | | .5 |

ORDERING INFORMATION

| Metal Halide Lamp supplied with fixture | Total Watts | Lamp Type | Lamp Base | Ballast | Starting Amps/ Operating Amps | | | | Input Watts | LAMP ANSI | Initial Lumens | Lamp Hours |
|--|----------------|--------------|--------------|-------------|-------------------------------|------|------|------|----------------|--------------|-------------------|---------------|
| | | | | | 120V | 208V | 240V | 277V | | | | |
| | 70 | ED17 | Medium | HX-NPF 120V | 2.5 | 2.1 | | | 94.0 | M98 | 5600 | 15000 |

Factory Installed Options
 Add suffix to Catalog Number

Tamperproof screws (/TP)
 Swivel Photocontrol (/PCS)
 Single fusing for 120 and 277 volt (/F)

Button Photocontrol wired for 208 - 277 volt (/PC2)
 Button Photocontrol (/PC)

Note: Specifications may change without notice