



WP2SH150QT



JOB NAME: _____
 DATE: _____
 TYPE: _____

DESCRIPTION

Mid sized wallpack. All aluminum precision die cast construction with tempered glass refractor. Lamp supplied.

SPECIFICATIONS

UL Listing

Suitable for wet locations. HID fixtures can be wired with 90° C supply wiring if supply wires are routed 3" away from ballast.

Housing

Die cast aluminum, 1/2" NPS tapped holes top, both sides and back for conduit or photocontrol. Hinged refractor frame. Continuous silicone rubber gasket.

Reflector

Specular anodized aluminum, removable for installation. Symmetrical light pattern maximizes distance between fixtures.

Cutoff Lens

Tempered glass.

Refractor

Prismatic optics designed to minimize glare and throw light down and out. Heat resistant borosilicate glass.

Finish

Chip and fade resistant polyester powder coating.

Patents

RAB sensor and fixture designs are protected under U.S. and International Intellectual Property laws

Country of Origin

Designed by RAB in New Jersey and assembled in the USA by IBEW Local 3

Buy American Act Compliant

This product is a COTS item manufactured in the United States, and is compliant with the Buy American Act.

Recovery Act (ARRA) Complaint

This product complies with the 52.225-21 "Required Use of American Iron, Steel, and Manufactured Goods-- Buy American Act-- Construction Materials (October 2010)

Trade Agreements Act Compliant

This product is a COTS item manufactured in the United States, and is compliant with the Trade Agreements Act.

GSA Schedule

This product is suitable for listing on the GSA Schedule of the US General Services in accordance with FAR Subpart 25.4

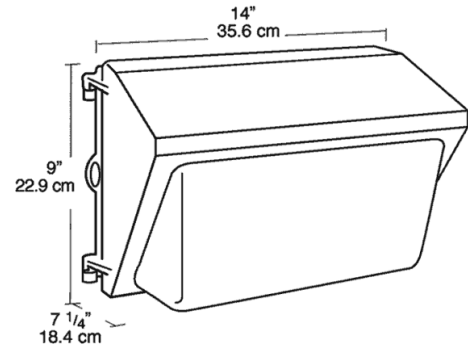
Color

Bronze

Weight

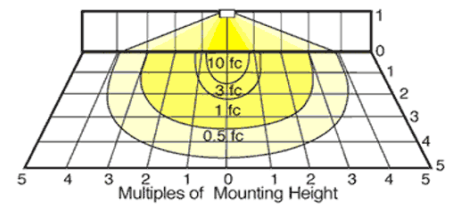
19.55

DIMENSIONS



PHOTOMETRIC

150w HPS @10' Mounting Height



| Mounting Height | Multiplier | Multiplier | | |
|-----------------|------------|------------|-----|--------|
| | | Watts | HPS | MH CFL |
| 8' | 1.6 | 175 | | .9 |
| 10' | 1.0 | 150PS | | .9 |
| 12' | .7 | 150 | 1.0 | .8 |
| 16' | .4 | 125PS | | .7 |
| 20' | .25 | 100 | .6 | .6 |
| | | 70 | .4 | .4 |
| | | 42 | | .2 |
| | | 84 | | .4 |

ORDERING INFORMATION

High Pressure Sodium
Lamp supplied with fixture

| Total Watts | Lamp Type | Lamp Base | Ballast |
|-------------|-----------|-----------|-----------|
| 150 | ED17 | Medium | HX-HPF QT |

| Starting Amps/ Operating Amps | | | |
|-------------------------------|---------|------|-------|
| 120V | 208V | 240V | 277V |
| 2/1.7 | 1.2/1.0 | 1/9 | .9/.8 |

| Input Watts | LAMP ANSI | Initial Lumens | Lamp Hours |
|-------------|-----------|----------------|------------|
| 188.0 | S55 | 16000 | 24000 |

Factory Installed Options
Add suffix to Catalog Number

Tamperproof screws (/TP)
Swivel Photocontrol (/PCS)
Single fusing for 120 and 277 volt (/F)

Double fusing for 208 and 240 volt (/FF)
Button Photocontrol for 208 - 277 volt (/PC2)
Button Photocontrol (/PC)

Note: Specifications may change without notice