



WP3H250PSQ



JOB NAME: _____
 DATE: _____
 TYPE: _____

DESCRIPTION

Large wallpack with aluminum precision die cast construction and tempered glass refractor. Lamp supplied.

SPECIFICATIONS

UL Listing

Suitable for wet locations. HID fixtures can be wired with 90°C supply wiring if supply wires are routed 3" away from the ballast.

Housing

Die cast aluminum 1/2" NPS tapped holes top, both sides and back for conduit or photocontrol. Hinged refractor frame, Continuous silicone rubber gasket.

Reflector

Specular anodized aluminum, removable for installation. Symmetrical light pattern maximizes distance between fixtures.

Finish

Chip and fade resistant polyester powder coating.

Pulse Start

Pulse Start metal halide for increased lamp life, lumen maintenance, color uniformity and efficiency

Patents

RAB sensor and fixture designs are protected under U.S. and International Intellectual Property laws

Country of Origin

Designed by RAB in New Jersey and assembled in the USA by IBEW Local 3

Buy American Act Compliant

This product is a COTS item manufactured in the United States, and is compliant with the Buy American Act.

Recovery Act (ARRA) Compliant

This product complies with the 52.225-21 "Required Use of American Iron, Steel, and Manufactured Goods-- Buy American Act-- Construction Materials (October 2010)

Trade Agreements Act Compliant

This product is a COTS item manufactured in the United States, and is compliant with the Trade Agreements Act.

GSA Schedule

This product is suitable for listing on the GSA Schedule of the US General Services in accordance with FAR Subpart 25.4

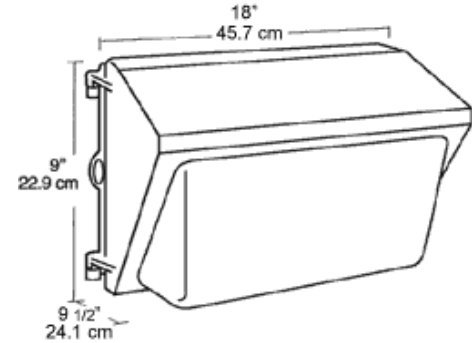
Color

Bronze

Weight

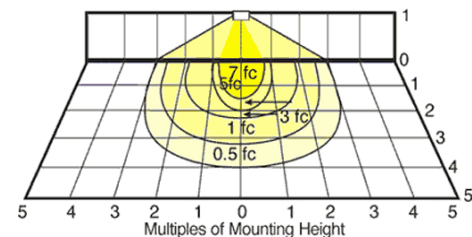
25.5

DIMENSIONS



PHOTOMETRIC

250w HPS @ 16' Mounting Height



Mounting Height	Multiplier	Watts	Multiplier HPS	vMH
8'	4	200PS		.7
10'	2.6	250	1.0	.7
12'	1.8	250PS		.9
16'	1.0	320PS		1.0
20'	.6	350PS		1.1
24'	.5	400	1.8	1.2
32'	.3	400PS		1.4

ORDERING INFORMATION

Metal Halide	Total Watts	Lamp Type	Lamp Base	Ballast	Starting Amps/ Operating Amps	Input Watts	LAMP ANSI	Initial Lumens	Lamp Hours
Lamp supplied with fixture					120V 208V 240V 277V				
	250	ED28	Mogul	CWA-HPF QT	1.4/2.5 .8/1.2 .7/1.0 .6/1.1	288.0	M138	25000	15000

Factory Installed Options
 Add suffix to Catalog Number

Tamperproof screws (/TP)
 Swivel Photocontrol (/PCS)
 Single fusing for 120 and 277 volt (/F)

Quartz Restrike (/QR)
 Double fusing for 208 and 240 volt (/FF)
 Button Photocontrol wired for 208 - 277 volt (/PC2)
 Button Photocontrol (/PC)

Note: Specifications may change without notice