



# WP3SC250QT



JOB NAME: \_\_\_\_\_  
 DATE: \_\_\_\_\_  
 TYPE: \_\_\_\_\_

## DESCRIPTION

Large wallpack with aluminum precision die cast construction and tempered glass refractor. Lamp supplied.

## SPECIFICATIONS

### UL Listing

Suitable for wet locations. HID fixtures can be wired with 90° C supply wiring if supply wires are routed 3" away from the ballast.

### Housing

Die cast aluminum 1/2" NPS tapped holes top, both sides and back for conduit or photocontrol. Hinged refractor frame, Continuous silicone rubber gasket.

### Reflector

Specular anodized aluminum, removable for installation. Symmetrical light pattern maximizes distance between fixtures.

### Finish

Chip and fade resistant polyester powder coating.

### Quad Tap

Fixture works with 120, 208, 240 and 277 Volts

### Patents

RAB sensor and fixture designs are protected under U.S. and International Intellectual Property laws

### Country of Origin

Designed by RAB in New Jersey and assembled in the USA by IBEW Local 3

### Buy American Act Compliant

This product is a COTS item manufactured in the United States, and is compliant with the Buy American Act.

### Recovery Act (ARRA) Complaint

This product complies with the 52.225-21 "Required Use of American Iron, Steel, and Manufactured Goods-- Buy American Act-- Construction Materials (October 2010)

### Trade Agreements Act Compliant

This product is a COTS item manufactured in the United States, and is compliant with the Trade Agreements Act.

### GSA Schedule

This product is suitable for listing on the GSA Schedule of the US General Services in accordance with FAR Subpart 25.4

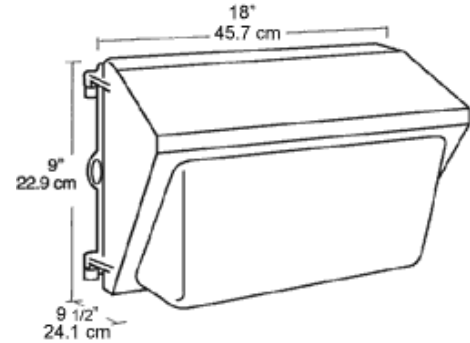
### Color

Bronze

### Weight

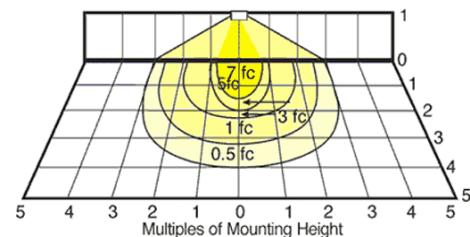
22

## DIMENSIONS



## PHOTOMETRIC

250w HPS @ 16' Mounting Height



Mounting Height	Multiplier	Watts	Multiplier HPS	vMH
8'	4	200PS		.7
10'	2.6	250	1.0	.7
12'	1.8	250PS		.9
16'	1.0	320PS		1.0
20'	.6	350PS		1.1
24'	.5	400	1.8	1.2
32'	.3	400PS		1.4

## ORDERING INFORMATION

High Pressure Sodium Lamp supplied with fixture	Total Watts	Lamp Type	Lamp Base	Ballast	Starting Amps/ Operating Amps	Input Watts	LAMP ANSI	Initial Lumens	Lamp Hours
	250	ED28	Mogul	CWA-HPF QT	1.7/2.5 1/1.5 0.8/1.3 0.7/1.1	295.0	S50	28500	24000

**Factory Installed Options**  
 Add suffix to Catalog Number

Tamperproof screws (/TP)  
 Swivel Photocontrol (/PCS)  
 Single fusing for 120 and 277 volt (/F)

Quartz Restrike (/QR)  
 Double fusing for 208 and 240 volt (/FF)  
 Button Photocontrol wired for 208 - 277 volt (/PC2)  
 Button Photocontrol (/PC)

Note: Specifications may change without notice