

Lok-it!® Lamp Family

Single-Ended Metal Halide and Halogen Lamps with Twist and Lock Base Design



Key Features & Benefits

- Lamp replacement made easier, faster and safer with one-touch twist & lock base
- Metal Halide and Tungsten Halogen lamps available
- Metal Halide lamps have eXtreme Seal (XS) technology allowing 450°C at the pinch seal
- Two Base Sizes: PGJX50 & PGJX28
- Interchangeable with other PGJX50 and PGJX28 lamps and sockets due to universal base design

Product Offering

| Metal Halide Lamps | Product Number | Rated Wattage (W) | Rated Voltage (V) | Rated lamp Current (A) | Lumens | Arc Gap (mm) | Avg. Rated Life (hrs) | Color Temp. (°K) | CRI | Base |
|--------------------------|----------------|-------------------|-------------------|------------------------|---------|--------------|-----------------------|------------------|-----|--------|
| HSD 300W/80/P28 Lok-it! | 54349 | 300 | 95 | 3.2 | 27,000 | 5 | 2000 | 8000 | >85 | PGJX28 |
| HTI 400W/60/P28 Lok-it! | 54360 | 400 | 65 | 6.2 | 29,000 | 3.4 | 750 | 6000 | >85 | PGJX28 |
| HTI 700W/75/P28 Lok-it! | 54221 | 700 | 100 | 10 | 50,000 | 4 | 750 | 7500 | >85 | PGJX28 |
| HTI 700W/75/P50 Lok-it! | 54229 | 700 | 100 | 10 | 50,000 | 4 | 750 | 7500 | >85 | PGJX50 |
| HTI 1500W/60/P50 Lok-it! | 54225 | 1200-1500 | 100 +/- 10 | 16 | 135,000 | 5 | 750 | 6000 | >90 | PGJX50 |
| Halogen Lamps | | | | | | | | | | |
| 750W/115V/32/P50 Lok-it! | 54524 | 750 | 115 | 6.5 | 19,000 | N/A | 300 | 3250 | 100 | PGJX50 |
| 780W/80V/32/P50 Lok-it! | 51972 | 780 | 80 | 9.75 | 22,500 | N/A | 300 | 3250 | 100 | PGJX50 |
| 800W/230V/32/P50 Lok-it! | 54529 | 800 | 230 | 3.5 | 20,000 | N/A | 300 | 3250 | 100 | PGJX50 |
| 1200W/80V/32/P50 Lok-it! | 54871 | 1200 | 80 | 15 | 37,500 | N/A | 250 | 3200 | 100 | PGJX50 |

Application Information

Applications

- Follow Spots
- Intelligent Fixtures
- Stage, Studio, Television
- Club Lighting

Warning

Some lamps emit a high level of ultraviolet (UV) radiation and operate at high pressure. Before use, read the complete warning accompanying the product.

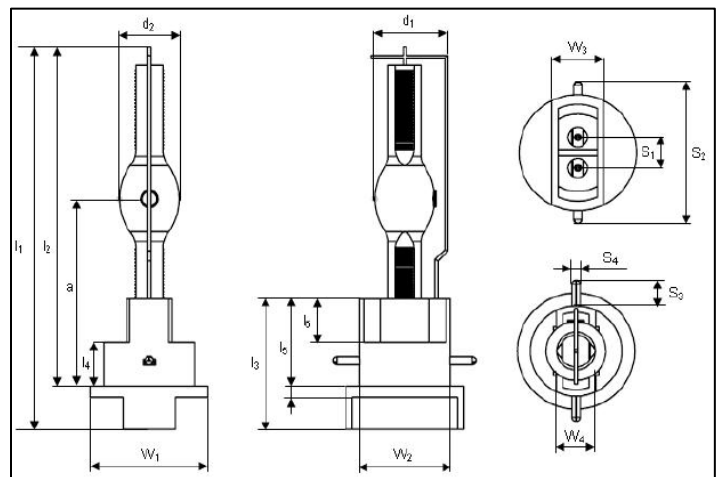
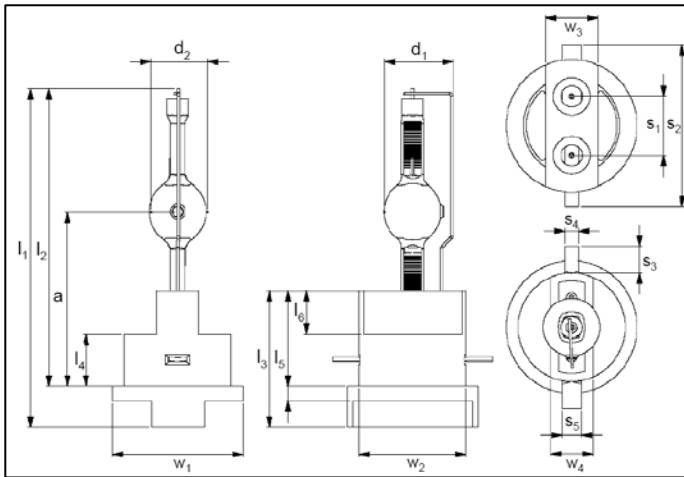
Disposal

When disposing of spent lamps, always consult federal, state, local and provincial hazardous waste disposal rules and regulations to ensure proper disposal.

Metal Halide Lamps

PGJX50 Base (P50)

PGJX28 Base (P28)



Lamp Dimensions– Metal Halide Types

| | HSD 300W/80/P28 Lok-it! | HTI 400W/60/P28 Lok-it! | HTI 700W/75/P28 Lok-it! | HTI 700W/75/P50 Lok-it! | HTI 1500W/60/P50 Lok-it! |
|---|--|--|--|--|---|
| Lamp length (overall) (mm) l_1 | 122 | 103 | 117 | 125 | 128 |
| Lamp length (mm) l_2 | 110 | 89.5 | 104 | 110 | 112 |
| LCL (mm) a | 67 | 56.5 | 56 | 65 | 65 |
| Base height (overall) (mm) l_3 | 40 | 40 | 40 | 51 | 51 |
| Bulb diameter (mm) d_2 | 23 | 17 | 18 | max 20 | max. 23 |
| Bulb diameter (mm) d_1 (incl. current bar) | 23 | 20 | 23 | max 24 | max. 27.5 |
| Base height part (mm) l_4 | 13 | 13 | 13 | 19.5 | 19.5 |
| Base height part (mm) l_5 | 27 | 27 | 27 | 35.5 | 35.5 |
| Base height part (mm) l_6 | 13 | 13 | 13 | 16 | 16 |
| Base plate diameter (mm) w_1 | 36 | 36 | 36 | 50 | 50 |
| Base neck width (mm) w_2 | 28 | 28 | 28 | 41 | 41 |
| Base handle width (mm) w_3 | 16.3 | 16.3 | 16.3 | 20 | 20 |
| Base neck width (mm) w_4 | 12 | 12 | 12 | 16 | 16 |
| Base pin inner distance (mm) s_1 | 9.5 | 9.5 | 9.5 | 22 | 22 |
| Base pin outer distance (mm) s_2 | 43.5 | 43.5 | 43.5 | 61 | 61 |
| Base pin length (mm) s_3 | 8 | 8 | 8 | 10 | 10 |
| Base pin width (mm) s_4 | 2.5 | 2.5 | 2.5 | 5 | 5 |
| Base pin width (mm) s_5 | N/A | N/A | N/A | 7 | 7 |

Lamp Operation – Metal Halide Types

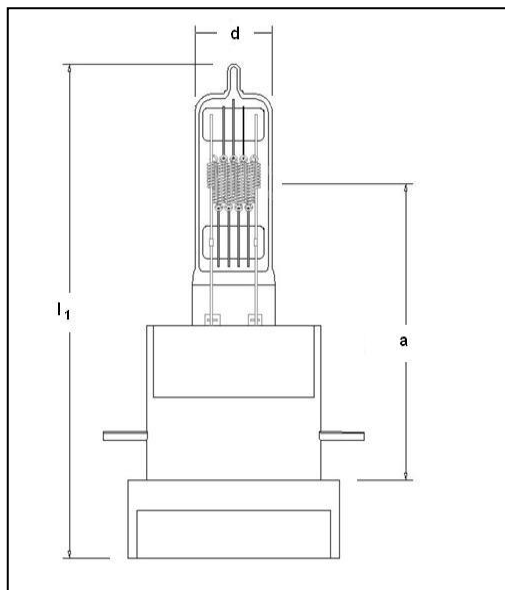
| | |
|---|--|
| Maximum pinch seal temperature allowed | 450°C / with eXtreme Seal Technology (measured at welding point) |
| Cooling | Forced cooling / fan required |
| Burning position | Any |

The HTI® 1500 W/60/P50 Lok-it!® is designed to be operated on electronic power supplies (ECG) only.



Halogen Lamps

PGJX50 Base (P50)



Lamp Dimensions – Tungsten Halogen Types

| | 750W/115V/32/P50 Lok-it! | 780W/80V/32/P50 Lok-it! | 800W/230V/32/P50 Lok-it! | 1200W/80V/32/P50 Lok-it! |
|------------------------------|-----------------------------|----------------------------|-----------------------------|-----------------------------|
| Lamp length (MOL) (mm) l_1 | 122.5 | 108 | 129.5 | 129.5 |
| LCL (mm) a | 79 | 65 | 79 | 84 |
| Bulb diameter (mm) d | 18 | 22 | 18 | 25 |

For additional base dimensions, see PGJX50 technical data in the Metal Halide section

Lamp Operation – Tungsten Halogen Types

| | |
|--|------------|
| Maximum pinch seal temperature allowed | 350°C |
| Cooling | Convection |
| Burning position | Any |

Ordering Information

| Lamp Description | Product Number | Standard Case Quantity |
|--------------------------|----------------|------------------------|
| HSD 300W/80/P28 Lok-it! | 54349 | 1 |
| HTI 400W/760P28 Lok-it! | 54360 | 1 |
| HTI 700W/75/P28 Lok-it! | 54221 | 1 |
| HTI 700W/75/P50 Lok-it! | 54229 | 1 |
| HTI 1500W/60/P50 Lok-it! | 54225 | 1 |
| | | |
| 750W/115V/32/P50 Lok-it! | 54524 | 12 |
| 780W/80V/32/P50 Lok-it! | 51972 | 12 |
| 800W/230V/32/P50 Lok-it! | 54529 | 12 |

Ordering Guide

| | | | | | | | |
|---|------------------|------------------|---------------------------|-----------|------------------|--------------------------|----------------|
| HSD | 300W | / | 80 | / | P28 | Lok-it! | |
| HSD [®] Metal Halide Lamp | Wattage = 300 | | Color Temp = 8000°K | | Base = PGJX28 | Family Name = Lok-it! | |
| 750W | / | 115V | / | 32 | / | P50 | Lok-it! |
| Wattage = 750W Tungsten Halogen Lamp | | Voltage = 115 | Color Temp = 3200°K | | Base = PGJX50 | Family Name = Lok-it! | |

©2011 OSRAM SYLVANIA

OSRAM SYLVANIA

National Customer
Service and Sales Center
18725 N. Union Street
Westfield, IN 46074 USA

Industrial Commercial

Phone: 1-800-255-5042
Fax: 1-800-255-5043

National Accounts

Phone: 1-800-562-4671
Fax: 1-800-562-4674

OEM/Special Markets

Phone: 1-800-762-7191
Fax: 1-800-762-7192

Display/Optic

Phone: 1-888-677-2627
Fax: 1-800-762-7192

In Canada

OSRAM SYLVANIA LTD

Headquarters
2001 Drew Road
Mississauga, ON L5S 1S4

Industrial Commercial

Phone: 1-800-263-2852
Fax: 1-800-667-6772

Special Markets

Phone: 1-800-265-2852
Fax: 1-800-667-6772

Visit our website: www.sylvania.com

HSD, HTI and Lok-it! are registered trademarks of OSRAM AG.