



Blazer 45W LED Wall Pack

Catalog Number TCPBLAZER50

Notes

Type



Blazer 45W LED Wall Pack

Installation

Wall mounted.
Before installation, please consult your local ordinances and building codes for compliance.

Warranty

Five years against defects in manufacturing.

Listing

Driver is UL listed
(UL Wet Location pending)

Application

TCP's Blazer line of LED wall packs are designed for applications that require clean lighting with a long life and low maintenance requirement. Applications include overnight security lighting for buildings, entrance lighting, and overhead door lighting.

Description

The Blazer 45 watt wall pack is a more efficient alternative to metal halide, high pressure sodium, and fluorescent wall packs. This LED wall pack is perfect for hard to reach areas that require clean lighting.

Construction

The Blazer 45 watt wall pack uses 20 High Power LumiLED Rebel LEDs. It is constructed from die cast aluminum with a durable brown powder coat finish. The Blazer 45 watt wall pack also features an impact resistant non-yellowing lens for maximum light output over the life of the luminaire. It is 7" tall by 14" wide and 9" deep. It has an IP65 weather rating.

Electrical

The driver is UL listed, has a power factor of 0.99, and an input voltage of 120-277 VAC (50/60 Hz). The Luminaire is rated at 45 watts, with a THD of less than 10%. Electrical protections include OVP, OCP, SCP, and OTP.

Performance

LED Life: 50,000 hrs

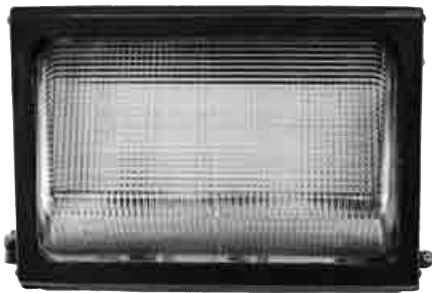
CCT: White 5500°K (Other color temperatures available upon request)

CRI: 71

Total Lumen Output: 1802 (LM-63-02 Test Procedure)

Lumens Per Watt: 40

Operating Temperature: -20°F ~ 140°F



Front View



Side View

TCP, Inc.

325 Campus Dr. | Aurora, Ohio 44202 | P: 800-324-1496 | tcp.com

©TCP, Inc. 2012/47169

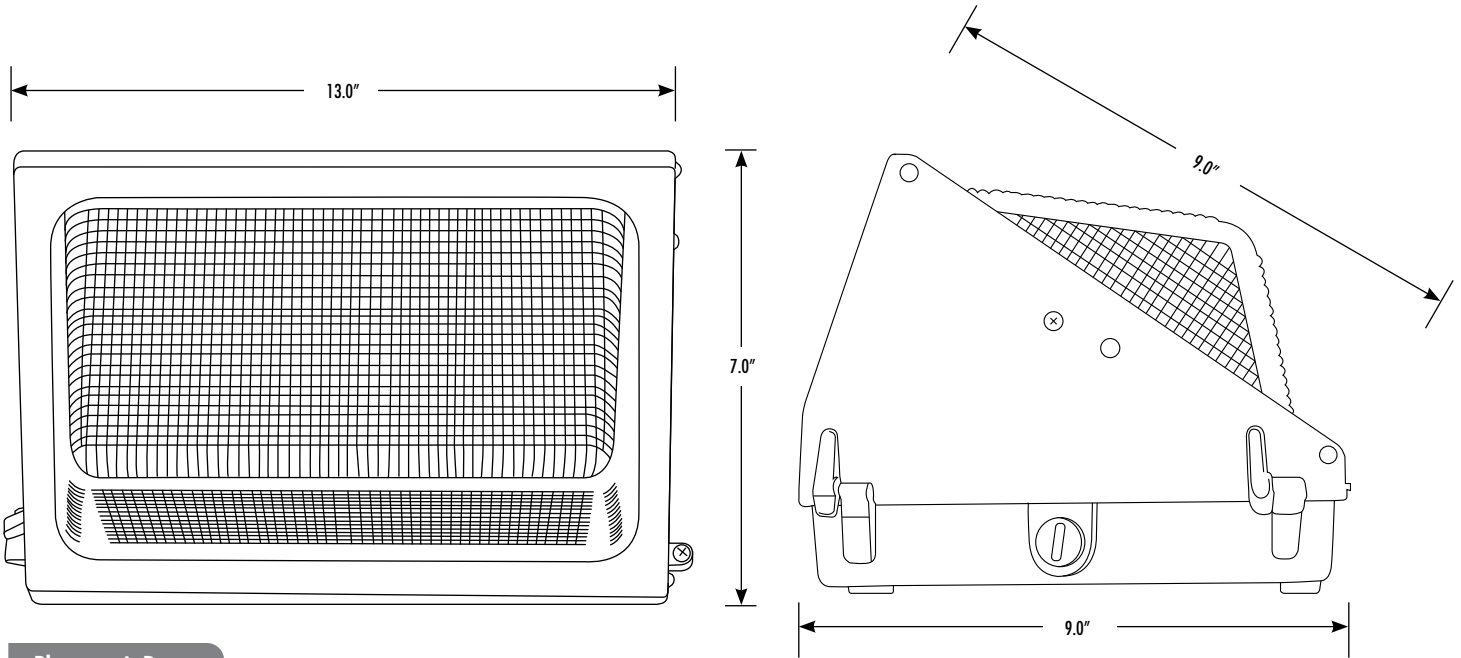
TCP is proud to have been awarded ENERGY STAR® Partner of the Year 2010.



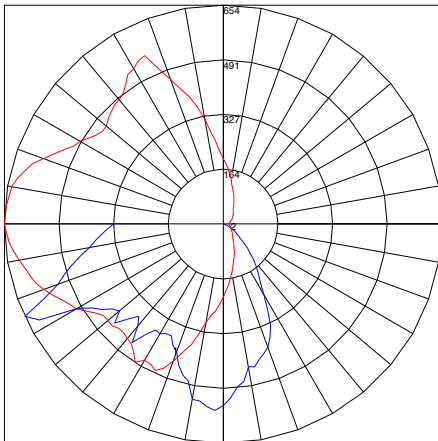


Blazer 45W LED Wall Pack

Dimensions & Construction



Photometric Report



Maximum Candela = 654.11 Located At Horizontal Angle = 180, Vertical Angle = 65
 # 1 - Vertical Plane Through Horizontal Angles (180 - 0) (Through Max. Cd.)
 # 2 - Horizontal Cone Through Vertical Angle (65) (Through Max. Cd.)

Candela Distribution

Effective Floor Cavity Reflectance 0.20

RC	80				70				50			30			10			0
RW	70	50	30	10	70	50	30	10	50	30	10	50	30	10	50	30	10	0
0	119	119	119	119	116	116	116	116	111	111	111	106	106	106	102	102	102	100
1	105	99	93	88	102	97	92	87	92	88	84	88	85	81	84	82	79	77
2	94	84	76	69	92	82	75	68	79	72	67	75	70	65	72	68	64	61
3	85	73	64	56	83	71	63	56	68	61	55	65	59	53	63	57	53	50
4	78	64	54	47	75	63	54	46	60	52	46	58	51	45	55	49	44	42
5	71	57	47	40	69	56	47	40	54	45	39	52	44	39	50	43	38	36
6	66	51	41	34	64	50	41	34	48	40	34	47	39	34	45	38	33	31
7	61	46	37	30	59	45	36	30	44	36	30	42	35	30	41	34	29	27
8	57	42	33	27	55	41	33	27	40	32	27	39	32	26	38	31	26	24
9	53	39	30	24	51	38	30	24	37	29	24	36	29	24	35	28	24	22
10	50	36	27	22	48	35	27	22	34	27	22	33	26	22	32	26	21	20

Zonal Lumen Summary

Zone	Lumens	% Fixt.
0-30	394.05	21.90
0-40	647.13	35.90
0-60	1182.35	65.60
0-90	1801.68	100.00
90-120	0.00	0.00
90-130	0.00	0.00
90-150	0.00	0.00
90-180	0.00	0.00
0-180	1801.68	100.00

Total Luminaire Efficiency = N.A.%

Luminance Data in Candela/Square Meter

Angle	0.0	45.0	90.0
45°	9377	18637	45490
55°	5422	10814	39673
65°	2743	6484	29941
75°	1277	4830	22815
85°	1080	7115	21166

Photometric Report

Total Input Watts (120V)	44.8
Luminaire Efficacy Rating (LER)	40%
Spacing Criterion (0-180)	0.88
Spacing Criterion (90-270)	1.56