

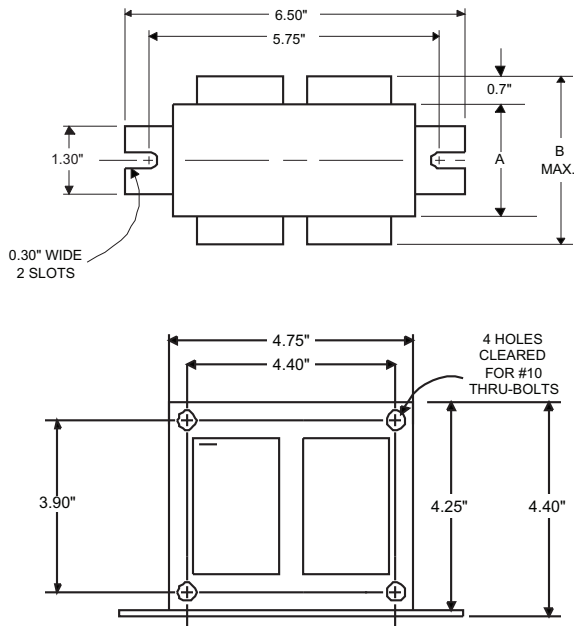
**PHILIPS  
ADVANCE**

**Metal  
Halide  
Lamp Ballast**

**Catalog Number 71A6071  
For 400W M59  
60 Hz CWA  
Status: Active**

**DIMENSIONS AND DATA**

4 1/4 X 4 3/4 CORE - 2 COIL UNIT



|  |                | 120  | 208  | 240  | 277  |
|--|----------------|------|------|------|------|
| INPUT VOLTS  |                |      |      |      |      |
| CIRCUIT TYPE   | CWA            |      |      |      |      |
| POWER FACTOR (min)   | 90%            |      |      |      |      |
| REGULATION   |                |      |      |      |      |
| Line Volts   | ±10%           |      |      |      |      |
| Lamp Watts   | ±10%           |      |      |      |      |
| LINE CURRENT (Amps)  |                |      |      |      |      |
| Operating.....   |                | 4.00 | 2.30 | 2.00 | 1.75 |
| Open Circuit.....  |                | 3.00 | 1.75 | 1.50 | 1.30 |
| Starting.....  |                | 3.00 | 1.75 | 1.50 | 1.30 |
| UL TEMPERATURE RATINGS   | H(180°C)       |      |      |      |      |
| Insulation Class   | 1029           |      |      |      |      |
| Coil Temperature Code  | -20°F or -30°C | D    | E    | D    | E    |
| MIN. AMBIENT STARTING TEMP.  | 300            |      |      |      |      |
| NOM. OPEN CIRCUIT VOLTAGE  |                |      |      |      |      |
| INPUT VOLTAGE AT LAMP DROPOUT.....   | 458            | 60   | 104  | 120  | 138  |
| INPUT WATTS  |                |      |      |      |      |
| RECOMMENDED FUSE (Amps).....   |                | 10   | 7    | 5    | 5    |
| CORE and COIL  | 2.00           |      |      |      |      |
| Dimension (A)  | 3.90           |      |      |      |      |
| Dimension (B)  | 11.5           |      |      |      |      |
| Weight (lbs.)  | 12"            |      |      |      |      |
| Lead Lengths   |                |      |      |      |      |
| CAPACITOR REQUIREMENT  | 24.0           |      |      |      |      |
| Microfarads  | 400            |      |      |      |      |
| Volts (min.)   |                |      |      |      |      |
| Fault Current Withstand (amps)   |                |      |      |      |      |
| 60 Hz TEST PROCEDURES (Refer to Philips Lighting Electronics N.A. TEST Procedure for HID Ballasts - Form High Potential Test (Volts) |                |      |      |      |      |
| 2000   |                |      |      |      |      |
| 1 minute   | 2500           |      |      |      |      |
| 2 seconds  | 270-330        |      |      |      |      |
| Open Circuit Voltage Test (Volts)  |                |      |      |      |      |
| Short-Circuit Current Test (Amps)  | 3.50-4.30      |      |      |      |      |
| Secondary Current  |                |      |      |      |      |
| Input Current.....   |                | 2.40 | 1.40 | 1.20 | 1.00 |
|  |                | 3.60 | 2.10 | 1.80 | 1.55 |

Capacitor: 7C240P40-R



Capacitance: 24  
Dia/Oval Dim: 1.75  
Height: 5.125  
Temp Rating: 105°C

Ignitor: NA

This ballast does not require the use of an ignitor.



**Wiring Diagram:**

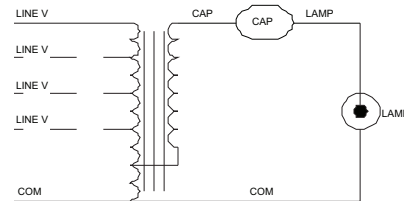


Fig. A

**Typical Ordering Information**

(please call Philips Lighting Electronics N.A. for suffix availability)

| Order Suffix | Description |
|--------------|-------------|
|--------------|-------------|

Data is based upon tests performed by Philips Lighting Electronics N.A. in a controlled environment and is representative of relative performance. Actual performance can vary depending on operating conditions. Specifications are subject to change without notice.

**PHILIPS LIGHTING ELECTRONICS N.A.**

10275 WEST HIGGINS ROAD · ROSEMONT, IL 60018

Tel: 800-322-2086 · Fax: 888-423-1882 · www.philips.com/advance

Customer Support/Technical Service: 800-372-3331 · OEM Support: 866-915-5886

Revised: 03/31/99