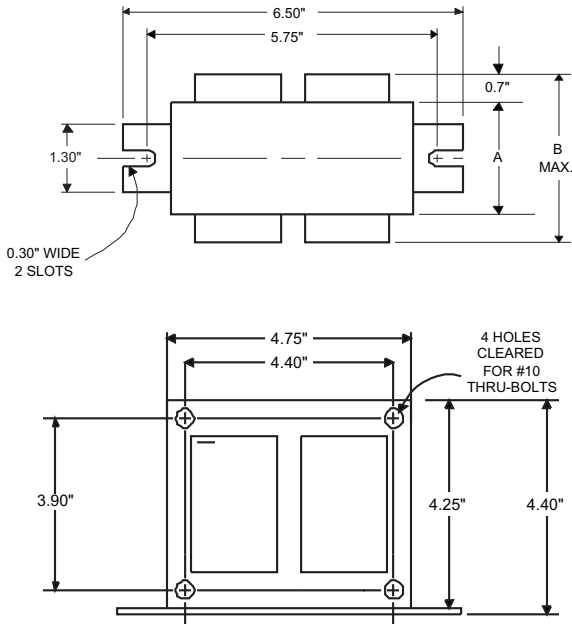


DIMENSIONS AND DATA

4 1/4 X 4 3/4 CORE - 2 COIL UNIT



Capacitor: 7C350P24



Capacitance: 35
Dia/Oval Dim: 1.75
Height: 3.75

Temp Rating: 105°C

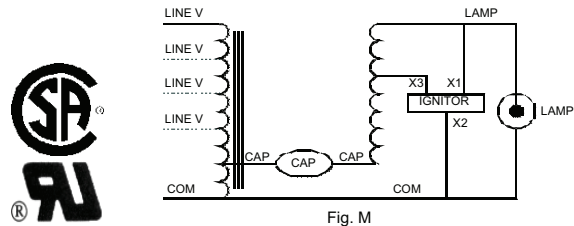
Ignitor: LI501-H4



Ballast to Lamp Distance
(BTL) = 2 feet
Temp Rating: 105°C

INPUT VOLTS	480			
CIRCUIT TYPE	CWA			
POWER FACTOR (min)	90%			
REGULATION				
Line Volts	±10%			
Lamp Watts	WITHIN TRAPEZOID			
LINE CURRENT (Amps)				
Operating.....	0.63			
Open Circuit.....	0.45			
Starting.....	0.40			
UL TEMPERATURE RATINGS	H(180°C)			
Insulation Class	1029			
Coil Temperature Code	-40°F or -40°C	B		
MIN. AMBIENT STARTING TEMP.	187			
NOM. OPEN CIRCUIT VOLTAGE				
INPUT VOLTAGE AT LAMP DROPOUT.....	360			
INPUT WATTS				
RECOMMENDED FUSE (Amps).....	2			
CORE and COIL	1.80			
Dimension (A)	3.45			
Dimension (B)	11			
Weight (lbs.)	12"			
Lead Lengths				
CAPACITOR REQUIREMENT	35.0			
Microfarads	240			
Volts (min.)				
Fault Current Withstand (amps)				
60 Hz TEST PROCEDURES (Refer to Philips Lighting Electronics N.A. TEST Procedure for HID Ballasts - Form High Potential Test (Volts)				
	2000			
1 minute	2500			
2 seconds	170-205			
Open Circuit Voltage Test (Volts)				
Short-Circuit Current Test (Amps)	3.70-4.50			
Secondary Current				
Input Current.....	0.25	-	-	-
	0.45			

Wiring Diagram:



Typical Ordering Information

(please call Philips Lighting Electronics N.A. for suffix availability)

Order Suffix	Description
--------------	-------------

Data is based upon tests performed by Philips Lighting Electronics N.A. in a controlled environment and is representative of relative performance. Actual performance can vary depending on operating conditions. Specifications are subject to change without notice.

PHILIPS LIGHTING ELECTRONICS N.A.

10275 WEST HIGGINS ROAD · ROSEMONT, IL 60018

Tel: 800-322-2086 · Fax: 888-423-1882 · www.philips.com/advance

Customer Support/Technical Service: 800-372-3331 · OEM Support: 866-915-5886

Revised: 05/16/03